

A563



INDEXED CLAMPING LEVER WITH PLASTIC PUSH BUTTON AND WITH MALE THREADED STUD

Material:
Special high resistance glass fiber reinforced technopolymer. Oils and greases resistant.

Surface:
Satin.

Lever body and insert colour:
Black (RAL 9011).

Main insert:
Zinc plated steel threaded stud.
(Thread tolerance 6g).

Push Button:
Push button in black polyamide (RAL 9011).

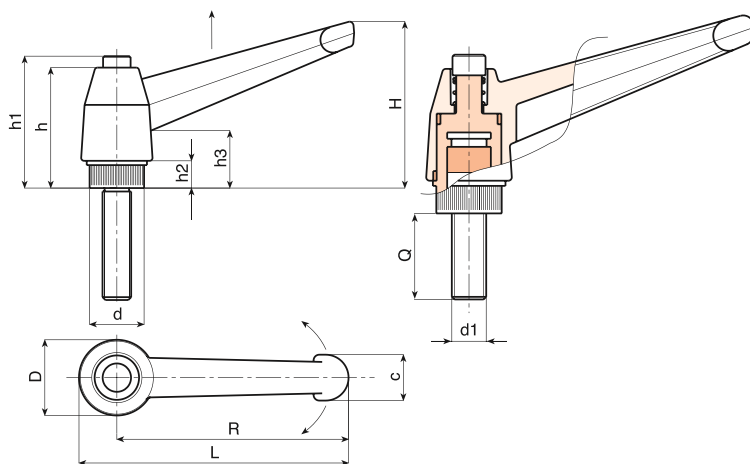
Alternative colours for lever body and button:

- Orange (RAL 2004 cod. 02)
- Blue (RAL 5015 cod. 07)
- Yellow (RAL 1021 cod. 10)
- Red (RAL 3000 cod. 16)
- Green (RAL 6024 cod. 17)
- Grey (RAL 7035 cod. 13)

Spring:
Stainless steel spring (AISI 302).

SPECIAL REQUESTS:

- It's possible to supply the inserts with different lengths, on request and for quantities.
- It's possible to supply the inserts with different materials, on request and for quantities.
- It's possible to supply the lever body and button with colours as shown in the table at page A-31 on request and for quantities.



Art.	L	R	H	D	d	c	h	h1	h2	h3	LM	d1 6g	Q	Δ g
A563043.TM04X..01	52	43	33	17	11,5	11	27	30	6	14	75	M04	10-16-20-25-30-40	8-8-9-9-10-11
A563043.TM05X..01	52	43	33	17	11,5	11	27	30	6	14	75	M05	10-16-20-25-30-40	11-12-13-13-14-14
A563043.TM06X..01	52	43	33	17	11,5	11	27	30	6	14	75	M06	10-16-20-25-30-35-40-50 35-40-50	11-12-14-15-16 17-18-20
A563065.TM06X..01	77	65	45	23	15	13	34	38	8	17	90	M06	16-20-25-30-35-40-45-50 40-45-50	22-23-24-25-26 27-28-29
A563065.TM08X..01	77	65	45	23	15	13	34	38	8	17	90	M08	16-20-25-30-35-40-45-50 40-45-50	25-26-27-29-30 32-33-35
A563065.TM10X..01	77	65	45	23	15	13	34	38	8	17	90	M10	20-25-30-35-40-50	31-33-36-39-41-46
A563083.TM08X..01	97	83	57	27	19	16	43	47	10	23	90	M08	20-25-30-35-40-50-60-70 50-60-70	42-44-45-47-48 51-54-57
A563083.TM10X..01	97	83	57	27	19	16	43	47	10	23	90	M10	20-25-30-35-40-45-50-60-70 45-50-60-70	50-53-55-57-60 63-65-70-75
A563083.TM12X..01	97	83	57	27	19	16	43	47	10	23	90	M12	20-25-30-35-40-50-60-70 50-60-70	62-65-69-72-76 83-90-97
A563104.TM12X..01	121	104	70	33	24	19	50	53	11	26	100	M12	20-25-30-35-40-50-60-70 50-60-70	84-87-91-96-98 105-112-119
A563104.TM14X..01	121	104	70	33	24	19	50	53	11	26	100	M14	20-25-30-35-40-50-60-70 50-60-70	90-95-100-105 110-120-130-140
A563104.TM16X..01	121	104	70	33	24	19	50	53	11	26	100	M16	20-30-40-50-60	108-120-132 146-158

Enter the stud length choice in the two .. of the article code. Lengths by request with 50 pieces minimum quantity.

LM = Maximum mouldable length.

Presumable presence in the stock in %
 90% ● 40% ● 5% ●