

H765



KNURLED HOLLOWED HANDWHEEL WITH THREADED THROUGH FEMALE INSERT

Material:
Reinforced polyamide.
Oils and greases resistant.

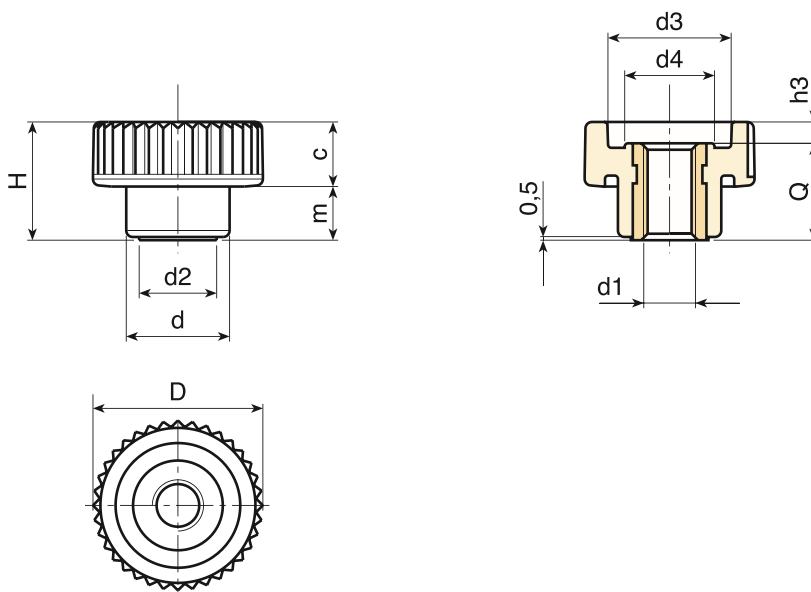
Surface:
Satin.

Colour:
Black (RAL 9011).

Main Insert:
Brass right through threaded bush (tolerance 6H).

SPECIAL REQUESTS:

- It is possible to supply the inserts in different materials, on request and for quantities.
- It is possible to supply colours as shown in the table at pag. H-23, on request and for quantities.



	art.	D	H	d	m	c	d2	d3	d4	h3	d1 6H	Q	g
●	H76515.TM0401	15	10,5	10	4,5	6	8	10	7,5	2	M04	8,5	2
●	H76515.TM0501	15	10,5	10	4,5	6	8	10	7,5	2	M05	8,5	2
●	H76521.TM0501	21	15	13	6,5	8,5	9,5	15	10,5	2,5	M05	12,5	5
●	H76521.TM0601	21	15	13	6,5	8,5	9,5	15	10,5	2,5	M06	12,5	5
●	H76526.TM0601	26	18	16	8,5	9,5	12	19	13	3	M06	15	10
●	H76526.TM0801	26	18	16	8,5	9,5	12	19	13	3	M08	15	10
●	H76533.TM0801	32	23	20	10,5	12,5	15	23	16	5	M08	18	16
●	H76533.TM1001	32	23	20	10,5	12,5	15	23	16	5	M10	18	16
●	H76540.TM0801	40	28	25	12,5	15,5	18	28	21	6	M08	22	31
●	H76540.TM1001	40	28	25	12,5	15,5	18	28	21	6	M10	22	32
●	H76540.TM1201	40	28	25	12,5	15,5	18	28	21	6	M12	22	32
●	H76540.TM1401	40	28	25	12,5	15,5	18	28	21	6	M14	22	34