

H765 PIN



INOX

KNURLED HOLLOWED HANDWHEEL WITH THREADED THROUGH FEMALE INSERT

Material:
Reinforced polyamide.
Oils and greases resistant.

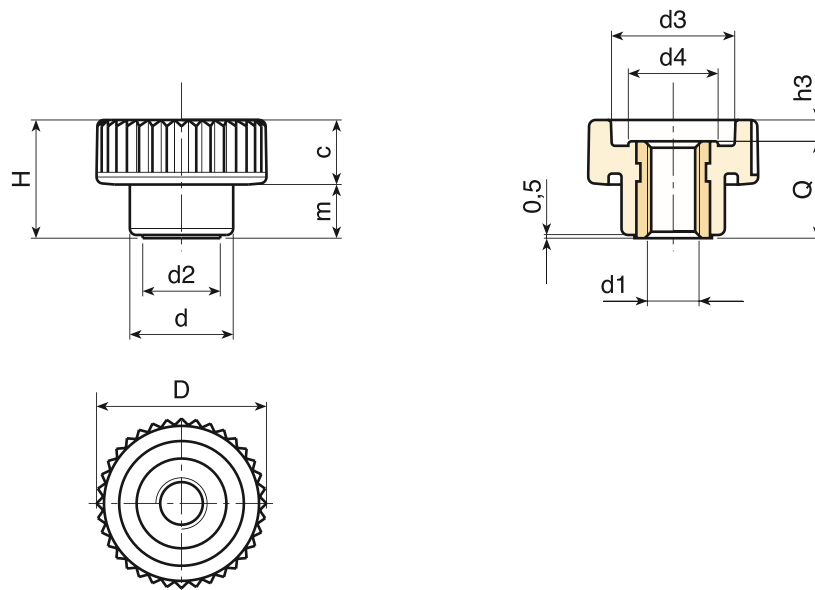
Surface:
Satin.

Colour:
Black (RAL 9011).

Main Insert:
Stainless steel right through threaded bush (AISI 303) (tolerance 6H).

SPECIAL REQUEST:

- It is possible to supply colours as shown in the table at pag. H-23, on request and for quantities.



	art.	D	H	d	m	c	d2	d3	d4	h3	d1 6H	Q	g
●	H76515.TM0401PIN	15	10,5	10	4,5	6	8	10	7,5	2	M04	8,5	3
●	H76515.TM0501PIN	15	10,5	10	4,5	6	8	10	7,5	2	M05	8,5	3
●	H76521.TM0501PIN	21	15	13	6,5	8,5	9,5	15	10,5	2,5	M05	12,5	6
●	H76521.TM0601PIN	21	15	13	6,5	8,5	9,5	15	10,5	2,5	M06	12,5	6
●	H76526.TM0601PIN	26	18	16	8,5	9,5	12	19	13	3	M06	15	11,5
●	H76526.TM0801PIN	26	18	16	8,5	9,5	12	19	13	3	M08	15	11,5
●	H76533.TM0801PIN	32	23	20	10,5	12,5	15	23	16	5	M08	18	18
●	H76533.TM1001PIN	32	23	20	10,5	12,5	15	23	16	5	M10	18	18
●	H76540.TM0801PIN	40	28	25	12,5	15,5	18	28	21	6	M08	22	32
●	H76540.TM1001PIN	40	28	25	12,5	15,5	18	28	21	6	M10	22	31
●	H76540.TM1201PIN	40	28	25	12,5	15,5	18	28	21	6	M12	22	34

Presumable presence in the stock in %

90% ● 40% ● 5% ●