

M129

+135°
-30°

PA6
+G.F.

UL94
HB

RoHS
COMPLIANT

REVOLVING HANDLE WITH HEXAGON SOCKET HEAD SCREW

Material:
Reinforced polyamide.
Oils and greases resistant.

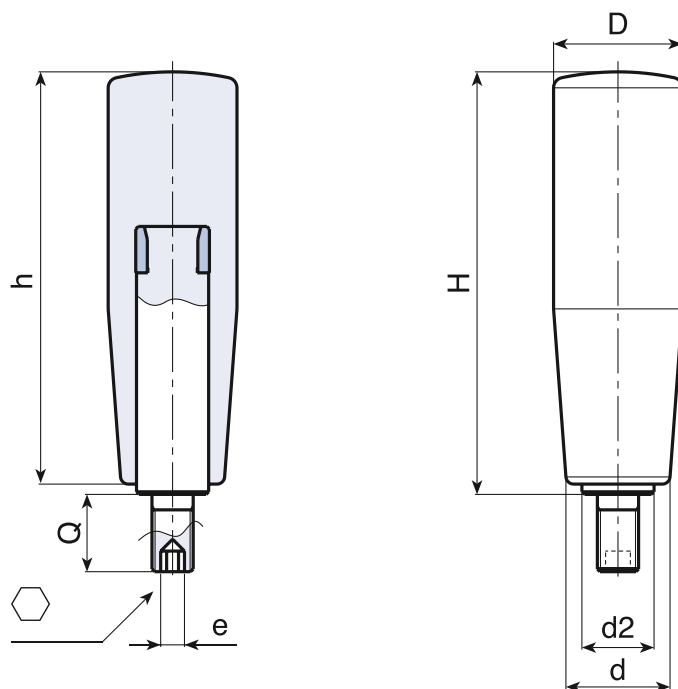
Surface:
Satin.

Colour:
Black (RAL 9011).

Revolving Insert:
Revolving zinc-plated steel threaded stud, with hexagon socket head and brass rotative ring. (thread tolerance 6g).

SPECIAL REQUEST:

- It is possible to supply colours as shown in the table at pag. M-29, on request and for quantities.



| art. | H | D | h | d | d2 | e | d1 6g | Q | Δ g |
|------------------|------|----|----|----|----|---|-------|----|-----|
| M12950.TM06X1201 | 51,5 | 20 | 50 | 15 | 10 | 3 | M06 | 12 | 42 |
| M12960.TM06X1201 | 61,5 | 23 | 60 | 18 | 10 | 3 | M06 | 12 | 54 |
| M12960.TM08X1501 | 61,5 | 23 | 60 | 18 | 10 | 4 | M08 | 15 | 60 |
| M12970.TM08X1501 | 71,5 | 25 | 70 | 19 | 10 | 4 | M08 | 15 | 92 |
| M12970.TM10X1501 | 71,5 | 25 | 70 | 19 | 10 | 4 | M10 | 15 | 94 |
| M12980.TM08X1501 | 81,5 | 26 | 80 | 21 | 14 | 4 | M08 | 15 | 98 |
| M12980.TM10X1501 | 81,5 | 26 | 80 | 21 | 14 | 5 | M10 | 15 | 104 |
| M12980.TM12X1501 | 81,5 | 26 | 80 | 21 | 14 | 5 | M12 | 15 | 104 |
| M12990.TM10X1501 | 91,5 | 27 | 90 | 22 | 14 | 5 | M10 | 15 | 118 |
| M12990.TM12X1501 | 91,5 | 27 | 90 | 22 | 14 | 5 | M12 | 15 | 120 |