



Stainless Steel Two Ear Clip

The use of two ear clips is an economical solution for many simple hose assemblies, used with air or other fluids.

The two ears give the clip extra grip and help to maintain constant pressure around the hose. Fitting is more flexible and exact.

The practical design of two ear clips means that they clamp firmly on to the assembly and cannot be removed once mounted. The edges are rounded to avoid damage to the hose. Due to the AISI-304 steel used in the manufacture of these clips, their corrosion resistance is outstanding. They are recommended especially in outdoor applications.

* Please see pages 84 and 85 for further information regarding application tools.

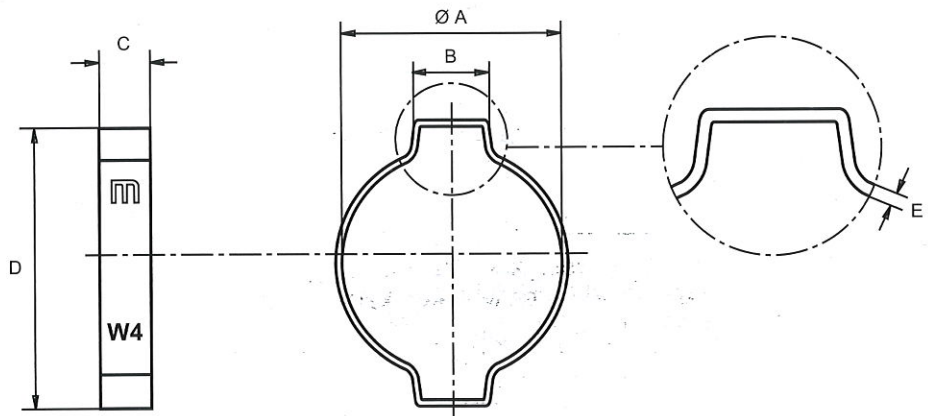
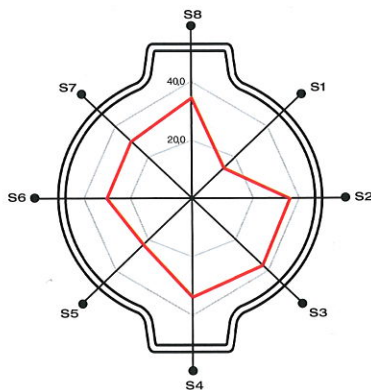
* Special diameters available on request.

W4

Stainless Steel Two Ear Clip - A20R W4

Application Ø		Part n° W4	A	B	C	D	E	Box Quantity (MOQ)	Packing	Colour
mm min. - max.	inches min. - max.									
5-7	3/16-9/32	23012116	9,3	4,8	6,0	14,5	0,8	1000	16000	STAINLESS STEEL
7-9	9/32-11/32	23012124	11,3	5,3	6,5	16,5	0,8	1000	8000	STAINLESS STEEL
9-11	11/32-7/16	23012132	13,3	5,8	6,5	19,0	0,8	500	8000	STAINLESS STEEL
10-12	13/32-15/32	23012140	15,3	6,3	7,0	21,5	1,0	500	4000	STAINLESS STEEL
11-13	7/16-17/32	23012159	17,5	6,6	7,0	24,0	1,0	500	4000	STAINLESS STEEL
13-15	17/32-19/32	23012167	18,5	7,0	7,5	25,0	1,0	500	4000	STAINLESS STEEL
14-17	9/16-11/16	23012175	20,5	7,6	7,5	27,0	1,0	250	2000	STAINLESS STEEL
15-18	19/32-23/32	23012183	21,5	7,9	8,0	28,5	1,0	250	2000	STAINLESS STEEL
17-20	11/16-25/32	23012191	23,5	8,5	8,0	30,5	1,0	250	2000	STAINLESS STEEL
18-21	3/4-27/32	23012204	25,5	9,1	8,5	33,5	1,2	200	1600	STAINLESS STEEL

W4 Band: Stainless steel (AISI-304) (A2) **Finish:** 100% Stainless steel



Polar Diagram

● Sectors	S1	S2	S3	S4	S5	S6	S7	S8
— Force Kg	15,2	32,6	32,6	33,9	22,2	27,7	28,2	35,1
<small>Min. value 15,2</small>								

Torque / Efficiency | Nm / daN