

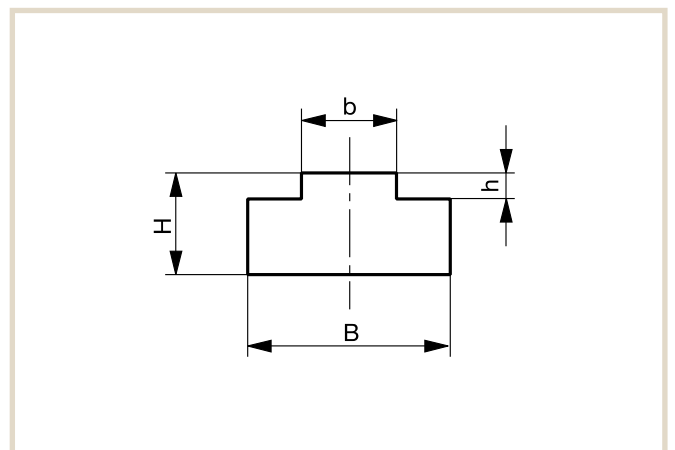
Chain Guides for Roller Chains as per DIN 8187

TYPE T



DIN 8187 chain no.	Chain dimensions in inches	B	H	b	h	Article no.
06B-1	3/8" x 7/32"	15	10	5,4	1,5	221 010 002
083-1	1/2" x 3/16"	15	10	4,5	1,5	221 010 003
085-1	1/2" x 1/4"	20	10	6,2	2,2	221 010 004
08B-1	1/2" x 5/16"	20	10	7,4	2,2	221 010 005
08B-1	1/2" x 5/16"	20	15	7,4	2,2	221 010 006
08B-1	1/2" x 5/16"	20	20	7,4	2,2	221 010 007
08B-1	1/2" x 5/16"	20	30	7,4	2,2	221 010 008
-	5/8" x 1/4"	20	10	6,2	2,6	221 010 009
10B-1	5/8" x 3/8"	20	10	9,3	2,6	221 010 010
10B-1	5/8" x 3/8"	20	15	9,3	2,6	221 010 011
10B-1	5/8" x 3/8"	20	20	9,3	2,6	221 010 012
10B-1	5/8" x 3/8"	20	30	9,3	2,6	221 010 013
12B-1	3/4" x 7/16"	25	10	11,3	2,4	221 010 014
12B-1	3/4" x 7/16"	25	15	11,3	2,4	221 010 015
12B-1	3/4" x 7/16"	25	20	11,3	2,4	221 010 016
12B-1	3/4" x 7/16"	25	30	11,3	2,4	221 010 017
16B-1	1" x 17 mm	40	15	16,0	3,5	221 010 018
16B-1	1" x 17 mm	40	20	16,0	3,5	221 010 019
16B-1	1" x 17 mm	40	30	16,0	3,5	221 010 020
20B-1	1 1/4" x 3/4"	45	15	18,0	4,2	221 010 021
24B-1	1 1/2" x 1"	60	15	24,0	5,5	221 010 022
28B-1	1 3/4" x 31 mm	75	20	30,0	6,8	221 010 023
32B-1	2" x 31 mm	80	20	30,0	7,7	221 010 024

Dimensions in mm - Separate ASA/JIS product catalogue available.

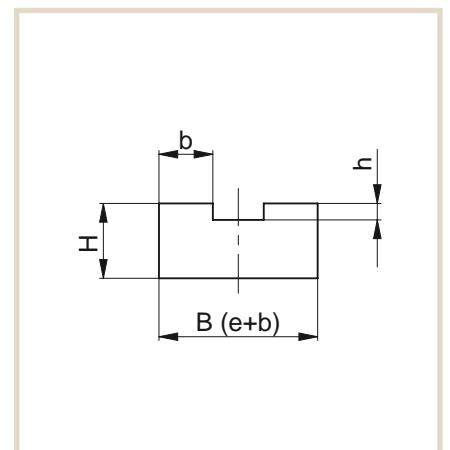
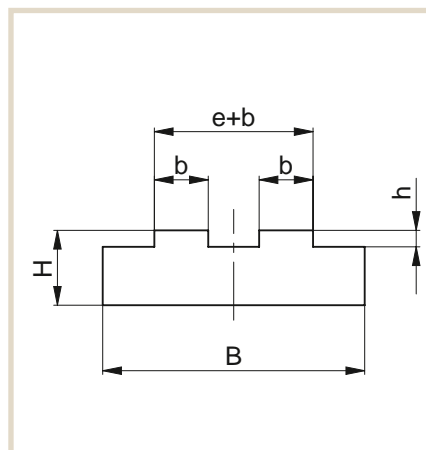


TYPE T-DUPLEX



DIN 8187 chain no.	Chain dimensions in inches	B	H	b	h	e+b	Article no.
06B-2	3/8" x 7/32"	25.0	10	5.3	1.5	15.6	221 010 025
08B-2	1/2" x 5/16"	35.0	10	7.2	2.2	21.2	221 010 026
08B-2	1/2" x 5/16"	35.0	15	7.2	2.2	21.2	221 010 027
08B-2	1/2" x 5/16"	35.0	20	7.2	2.2	21.2	221 010 028
08B-2	1/2" x 5/16"	35.0	30	7.2	2.2	21.2	221 010 029
10B-2	5/8" x 3/8"	40.0	10	9.0	2.6	25.6	221 010 030
12B-2	3/4" x 7/16"	45.0	15	10.9	2.4	30.4	221 010 031
12B-2	3/4" x 7/16"	45.0	10	10.9	2.4	30.4	221 010 032
16B-2	1" x 17 mm	47.8	15	15.8	3.5	47.8	221 010 033
20B-2	1 1/4" x 3/4"	54.7	15	18.2	4.2	54.7	221 010 034
24B-2	1 1/2" x 1"	72.0	20	23.6	5.5	72.0	221 010 035
28B-2	1 3/4" x 31 mm	88.4	25	28.8	6.8	88.4	221 010 036
32B-2	2" x 31 mm	87.4	30	28.8	7.7	87.4	221 010 037

Dimensions in mm - Separate ASA/JIS product catalogue available.



TYPE T-TRIPLEX



DIN 8187 chain no.	Chain dimensions in inches	B	H	b	h	2e+b	Article no.
06B-3	3/8" x 7/32"	35.0	10	5.3	1.5	25.9	221 010 038
08B-3	1/2" x 5/16"	45.0	10	7.1	2.2	34.9	221 010 039
10B-3	5/8" x 3/8"	55.0	10	8.9	2.6	42.1	221 010 040
12B-3	3/4" x 7/16"	60.0	15	10.7	2.4	49.7	221 010 041
16B-3	1" x 17 mm	79.5	20	15.7	3.5	79.5	221 010 042
20B-3	1 1/4" x 3/4"	91.0	20	18.0	4.2	91.0	221 010 043
24B-3	1 1/2" x 1"	120.0	25	23.4	5.5	120.0	221 010 044

Dimensions in mm - Separate ASA/JIS product catalogue available.

