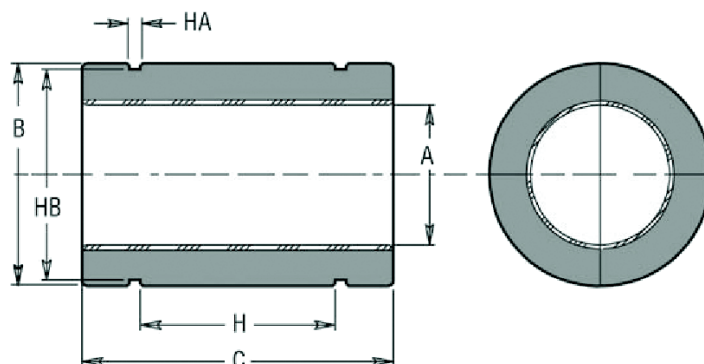
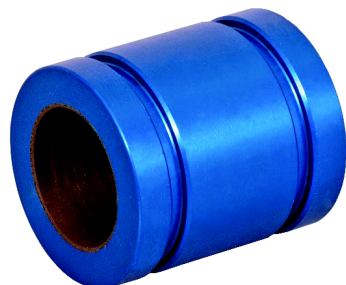




FMT / FMTC TÍPUS
 FMT / FMTC TYPE



Cikkszám Code	Típus Type	Névl. Ø Nom. Ø	A		B		C		Koncentrikusság Concentricity	H	HA	HB	Terhelés Load	Tömeg Weight
			min	max	min	max	min	max						
(mm)														
FMT - precíziós sorozat / precision series														
84.028.002	FMT 06	6	6,010	6,028	11,982	12	21,746	22	0,0254	-	-	-	2727	6
84.028.003	FMT 08	8	8,013	8,035	14,982	15	23,746	24	0,0254	10	2	12,2	3963	8
84.028.004	FMT 10	10	10,013	10,035	16,982	17	25,746	26	0,0254	12	2	14,4	5356	9
84.028.005	FMT 12	12	12,016	12,043	18,979	19	27,746	28	0,0254	14	2	16,6	6926	12
84.028.006	FMT 14	14	14,016	14,043	20,979	21	27,746	28	0,0254	14	2	18,5	8083	13
84.028.007	FMT 16	16	16,016	16,043	23,979	24	29,746	30	0,0254	14	2	21,3	9888	19
84.028.009	FMT 20	20	20,020	20,053	27,979	28	29,746	30	0,0254	14	2	25,5	12361	23
84.028.011	FMT 25	25	25,020	25,053	34,975	35	39,746	40	0,0254	22	3,2	30,9	20601	44
84.028.013	FMT 30	30	30,020	30,053	39,975	40	49,746	30	0,0254	30	3,2	35,9	30902	65
84.028.015	FMT 40	40	40,025	40,064	51,970	52	59,746	60	0,0254	40	4,1	46,2	49442	123
84.028.016	FMT 50	50	50,025	50,064	61,970	62	69,746	70	0,0254	50	4,1	56,3	72104	178
FMTC - kompenzált sorozat / compensated series														
84.050.002	FMTC 06	6	6,060	6,078	11,982	12	21,746	22	0,0254	-	-	-	2727	6
84.050.003	FMTC 08	8	8,063	8,085	14,982	15	23,746	24	0,0254	10	2	12,2	3963	8
84.050.004	FMTC 10	10	10,063	10,085	16,982	17	25,746	26	0,0254	12	2	14,4	5356	9
84.050.005	FMTC 12	12	12,066	12,093	18,979	19	27,746	28	0,0254	14	2	16,6	6926	12
84.050.006	FMTC 14	14	14,066	14,093	20,979	21	27,746	28	0,0254	14	2	18,5	8083	13
84.050.007	FMTC 16	16	16,066	16,093	23,979	24	29,746	30	0,0254	14	2	21,3	9888	19
84.050.009	FMTC 20	20	20,096	20,129	27,979	28	29,746	30	0,0254	14	2	25,5	12361	23
84.050.011	FMTC 25	25	25,096	25,129	34,975	35	39,746	40	0,0254	22	3,2	30,9	20601	44
84.050.013	FMTC 30	30	30,096	30,129	39,975	40	49,746	30	0,0254	30	3,2	35,9	30902	65
84.050.015	FMTC 40	40	40,127	40,166	51,970	52	59,746	60	0,0254	40	4,1	46,2	49442	123
84.050.016	FMTC 50	50	50,127	50,166	61,970	62	69,746	70	0,0254	50	4,1	56,3	72104	178

Anyaga: eloxált alumínium Material: anodized aluminium
 Belső bevonata: Frelon Gold Internal coating: Frelon Gold