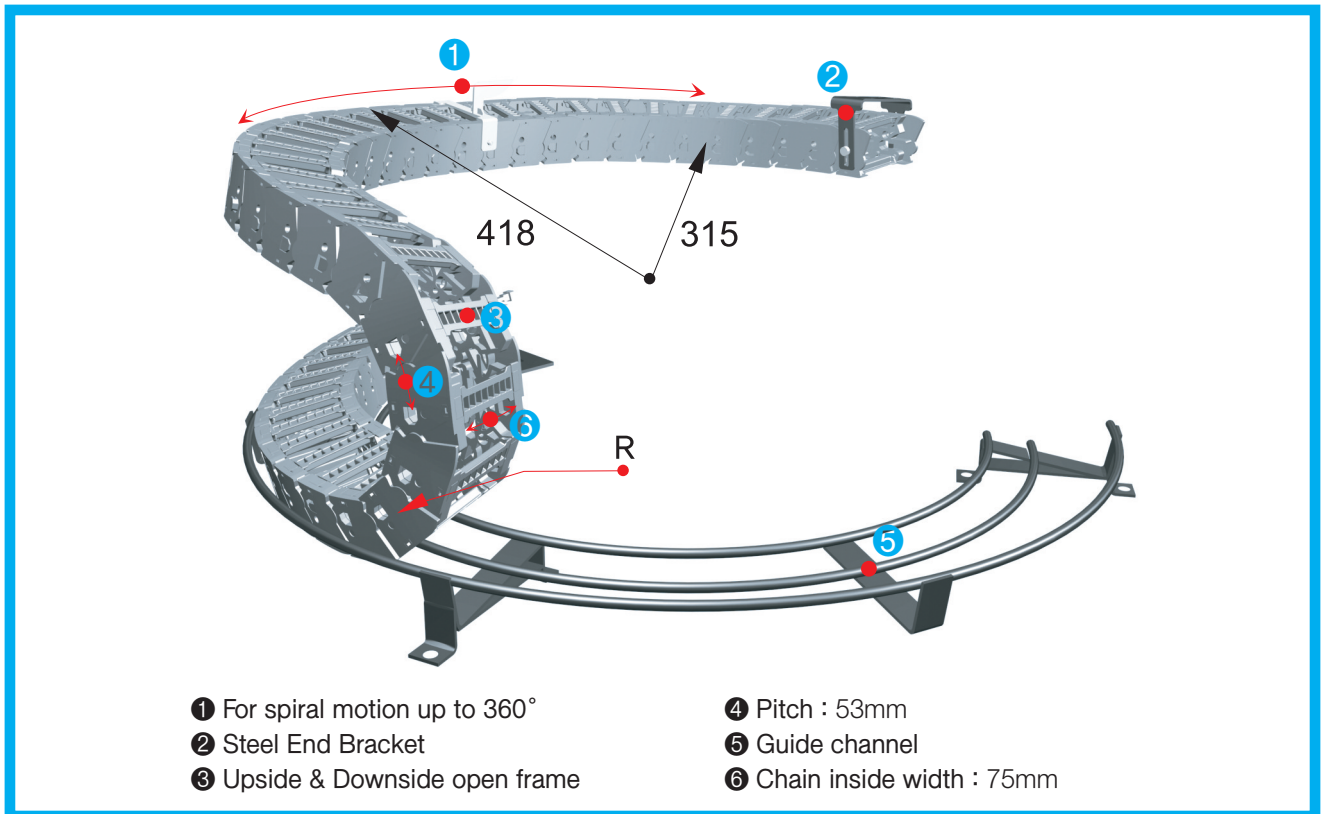


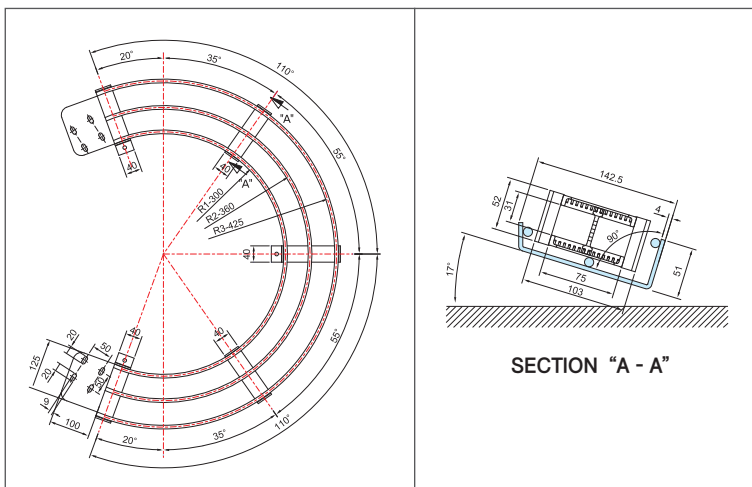


Helix chain is applied to the application with a spiral rotary motion in limited space where 360 degrees robots, rotating machines are operated. It protects cables from external damage and keeps the rotating angles safely.



- ① For spiral motion up to 360°
- ② Steel End Bracket
- ③ Upside & Downside open frame
- ④ Pitch : 53mm
- ⑤ Guide channel
- ⑥ Chain inside width : 75mm

» Guide Channel



Bending Radius (R)

90

140

(Dimensions in mm)

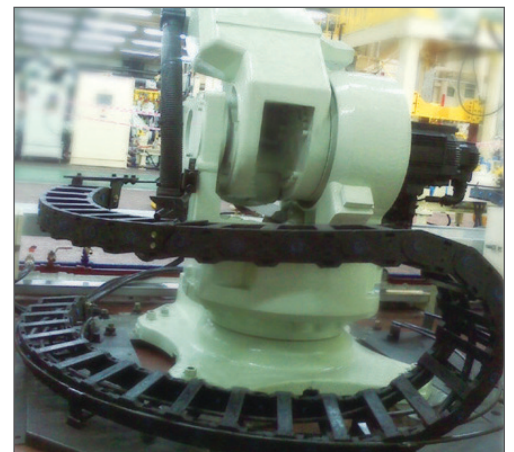
» Calculation of required Number of Links

$$N = \left(\frac{\pi \times Or \times B}{360^\circ \times P} \right) + \frac{Lp}{P}$$

- N : Number of Links
- Or : Outer Radius
- B : Rotation angle
- P : Chain pitch
- Lp : $\pi R + 6p$

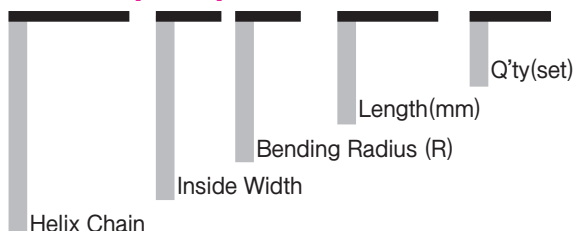
» Application

: Robot, Rotation Machine

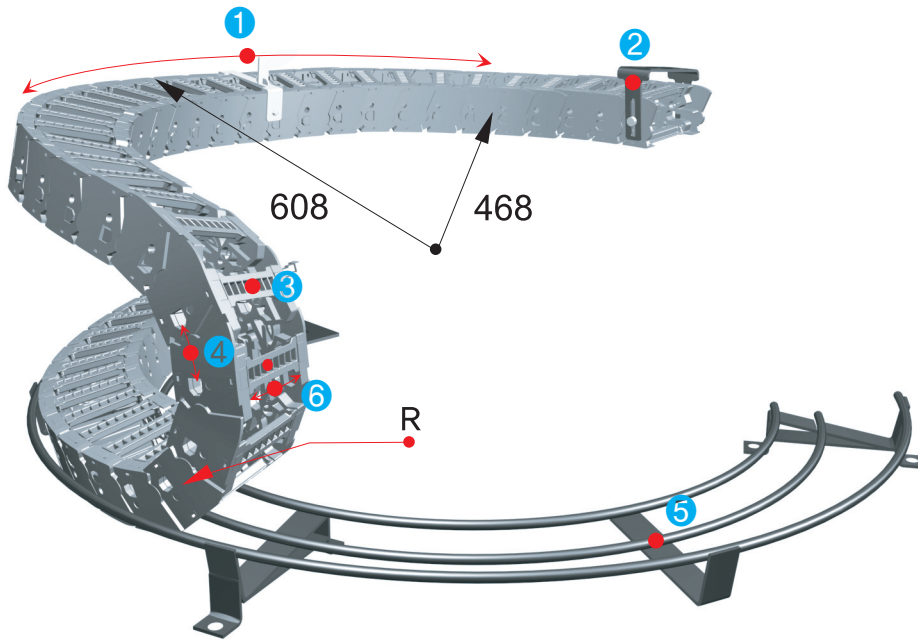


» Ordering

HX3553, 075, R90 - 1000L : 10ST

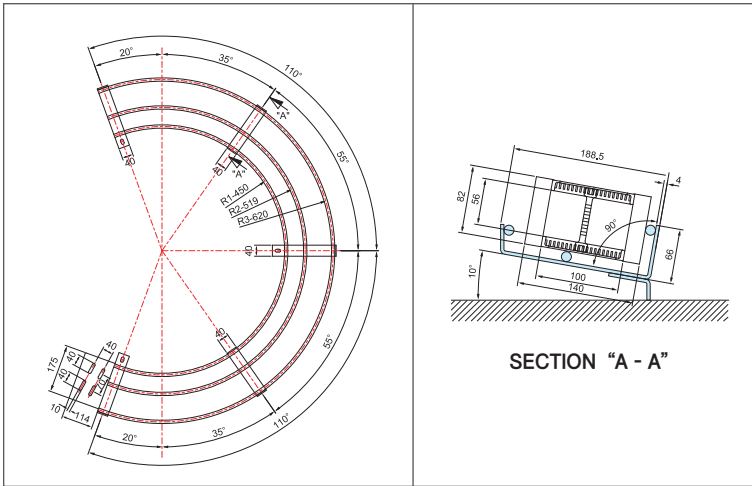


HX6075



- ① For spiral motion up to 360°
- ② Steel End Bracket
- ③ Upside & Downside open frame
- ④ Pitch : 75mm
- ⑤ Guide channel
- ⑥ Chain inside width : 100mm

» Guide Channel



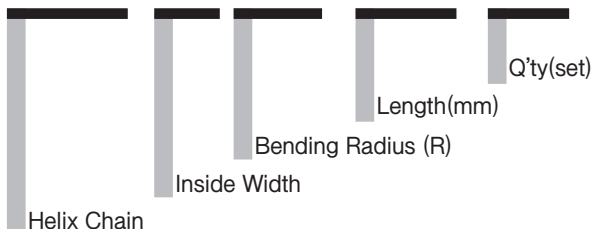
Bending Radius (R)

110	135	185	235
-----	-----	-----	-----

(Dimensions in mm)

» Ordering

HX6075, 100, R110 - 1000L : 10ST



» Calculation of required Number of Links

$$N = \left(\frac{\pi \times Or \times B}{360^\circ \times P} \right) + \frac{Lp}{P}$$

- N : Number of Links
- Or : Outer Radius
- B : Rotation angle
- P : Chain pitch
- Lp : $\pi R + 6p$

» Application

: Robot, Rotation Machine

