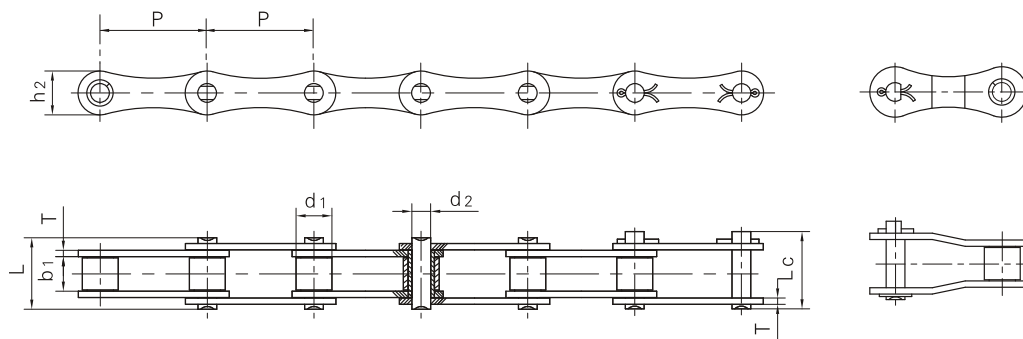




S型钢制农机链
S type steel agricultural chains

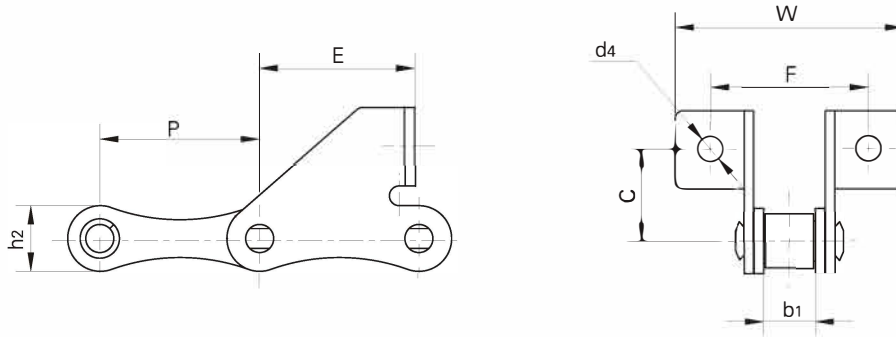


Vision Chain No.	节距	滚子直径	内节内宽	销轴直径	销轴长度		内链板高度	链板厚度	极限拉伸载荷	平均拉伸载荷	每米长重
	Pitch	Roller diameter	Width between inner plates	Pin diameter	Pin length		Inner plate depth	Plate thickness	Ultimate tensile strength	Average tensile strength	Weight per meter
	P	d1 max	b1 min	d2 max	L max	Lc max	h2 max	T max	Q min	Q0	q
	mm	mm	mm	mm	mm	mm	mm	mm	kN/LB	kN	kg/m
S32	29.21	11.43	15.88	4.45	26.7	28.8	13.2	1.8	8.0/1818	21.6	0.86
S32V	29.21	11.43	15.88	5.08	27.3	29.7	13.5	2.1	25.0/5680	27.0	0.96
S42	34.93	14.27	19.05	7.00	34.3	37.0	19.8	2.8	27.0/6136	50.8	1.60
S45	41.40	15.24	22.23	5.72	37.7	40.4	17.3	2.8	18.0/4091	36.1	1.66
S51	38.10	15.24	16.00	5.72	30.9	33.8	17.3	2.8	28.0/6364	30.8	1.48
S52	38.10	15.24	22.23	5.72	37.7	40.4	17.3	2.8	18.0/4091	36.1	1.68
55V	41.40	17.90	22.23	8.22	39.3	42.4	20.0	3.0	42.0/9546	45.0	2.22
55VF1	41.40	17.90	22.23	8.22	39.3	42.4	21.4	3.0	45.0/10227	73.1	2.32
S55	41.40	17.78	22.23	5.72	37.7	40.4	17.3	2.8	18.0/4091	36.1	1.80
S55R	41.40	17.78	22.23	8.90	41.0	44.0	22.4	3.5	45.0/10227	73.1	2.49
S55RH	41.40	17.78	22.23	8.90	43.2	46.4	22.4	4.0	65.0/14772	84.5	2.74
S62	41.91	19.05	26.20	5.72	40.3	43.0	17.3	2.5	26.7/6067	36.1	1.87
S77	58.34	18.26	22.23	8.90	43.2	46.4	26.2	4.0	45.0/10227	73.1	2.66
S88	66.27	22.86	28.58	8.90	49.8	53.0	26.2	4.0	45.0/10227	73.1	3.25



S型钢制农机链附件

S type steel agricultural chain with attachments



Vision Chain No.	P	b ₁	C	E	F	W	d ₄	h ₂
	mm	mm	mm	mm	mm	mm	mm	mm
S32SD	29.21	15.88	20.0	19.2	58.0	78.0	6.4	13.2
S45W-F1	41.40	22.23	20.0	37.0	58.0	87.0	6.6	17.3
S45W-F4	41.40	22.23	20.5	33.2	58.0	85.6	6.6	17.3
S45F1	41.40	22.23	21.0	25.0	62.4	83.4	8.5	17.3
S45SDF2	41.40	22.23	21.0	28.5	62.4	83.4	8.5	17.3
S52SD	38.10	22.23	20.0	19.2	62.0	88.5	6.4	17.3
S52F4	38.10	15.80	20.6	37.0	53.8	69.5	6.4	16.7
S52F8	38.10	22.23	20.6	37.0	60.7	76.4	6.4	17.3
S55F2	41.40	22.23	20.0	37.0	58.0	87.0	6.4	17.3
S55F3	41.40	22.23	20.5	33.2	58.0	85.6	6.6	17.3
S55F4	41.40	22.23	20.0	37.0	58.0	87.0	6.6	17.3
S55F6	41.40	22.23	20.0	30.0	58.0	87.0	6.4	17.3
S55F7	41.40	22.23	20.5	33.2	62.0	85.6	6.6	17.3