

W810

W810CIN - W811 W811CIN

KNOB STYLE INDEXING PLUNGER WITH HANDWHEEL LOCKING SYSTEM WITH OR WITHOUT LOCK NUT



Art. W810 CIN

W810 Version: Knob-style black oxide treated indexing plunger with handwheel locking system

	Art.	D	H	h	h1	h3	d3	d2	d	e	s	d1 ^{-0,02} _{-0,04}	Q	g
	W810.Q0501	22	51,5	17	15	6,5	11,8	M10x1	12	12	5	5	5	22
	W810.Q0601	27	61,5	20	18	7,5	13,8	M12x1,5	14	14	6	6	6	37
	W810.Q0801	33	77,5	26	24	9,5	18,8	M16x1,5	19	19	8	8	8	87
	W810.Q1001	33	90,5	33	31	11,5	18,8	M20x1,5	19	22	10	10	10	142

W811 Version: Knob-style black oxide treated indexing plunger with handwheel locking system and lock nut

	Art.	D	H	h	h1	h3	d3	d2	d	e	s	e2	s2	d1 ^{-0,02} _{-0,04}	Q	g
	W811.Q0501	22	51,5	17	15	6,5	11,8	M10x1	12	12	5	17	6	5	5	29
	W811.Q0601	27	61,5	20	18	7,5	13,8	M12x1,5	14	14	6	19	7	6	6	47
	W811.Q0801	33	77,5	26	24	9,5	18,8	M16x1,5	19	19	8	24	8	8	8	105
	W811.Q1001	33	90,5	33	31	11,5	18,8	M20x1,5	19	22	10	30	9	10	10	172

W810 CIN Version: Knob-style stainless steel indexing plunger with handwheel locking system

	Art.	D	H	h	h1	h3	d3	d2	d	e	s	d1 ^{-0,02} _{-0,04}	Q	g
	W810.I0501CIN	22	51,5	17	15	6,5	11,8	M10x1	12	12	5	5	5	22
	W810.I0601CIN	27	61,5	20	18	7,5	13,8	M12x1,5	14	14	6	6	6	37
	W810.I0801CIN	33	77,5	26	24	9,5	18,8	M16x1,5	19	19	8	8	8	87
	W810.I1001CIN	33	90,5	33	31	11,5	18,8	M20x1,5	19	22	10	10	10	142

W811 CIN Version: Knob-style stainless steel indexing plunger with handwheel locking system and lock nut

	Art.	D	H	h	h1	h3	d3	d2	d	e	s	e2	s2	d1 ^{-0,02} _{-0,04}	Q	g
	W811.I0501CIN	22	51,5	17	15	6,5	11,8	M10x1	12	12	5	17	6	5	5	29
	W811.I0601CIN	27	61,5	20	18	7,5	13,8	M12x1,5	14	14	6	19	7	6	6	47
	W811.I0801CIN	33	77,5	26	24	9,5	18,8	M16x1,5	19	19	8	24	8	8	8	105
	W811.I1001CIN	33	90,5	33	31	11,5	18,8	M20x1,5	19	22	10	30	9	10	10	172

W - S PLUNGERS

ver. W-SUK.02-1114

BOTECO METAL LINE

W-S - 10

Presumable presence in the stock in %

90% 40% 5%

www.boteco.it - © All right reserved - BOTECO®

Any unauthorized reproduction is strictly forbidden

W810



Versions:

- W810** Knob-style black oxide treated indexing plunger with handwheel locking system.
W811 Knob-style black oxide treated indexing plunger with handwheel locking system and lock nut.
W810 CIN Knob-style stainless steel indexing plunger with handwheel locking system.
W811 CIN Knob-style stainless steel indexing plunger with handwheel locking system and lock nut.

Material:

(4) Reinforced polyamide scallop knob. Cannot be removed.

Versions W810 and W811

- (3) Zinc plated steel spring.
(2) High-resistance steel threaded hexagon ring nut.
(1) Hardened high resistance steel plunger pin.
(5) Threaded steel lock nut (UNI 5589).

Versions W810 CIN and W811 CIN

- (3) Stainless steel spring.
(2) Stainless steel threaded hexagon ring nut (AISI 303).
(1) Stainless steel plunger pin (AISI 303).
(5) Threaded stainless steel lock nut (AISI 304) (UNI 5589).

ATTENTION: The manufacturer recommends making the lodging hole for the plunger pin with a tolerance H7.

ATTENTION: Nut supplied assembled (for version W811 and W811 CIN).

Surfaces:

(4) Black satin finish (RAL 9011).

Versions W810 and W811

(1.2.5) Black-oxide finish.

Versions W810 CIN and W811 CIN

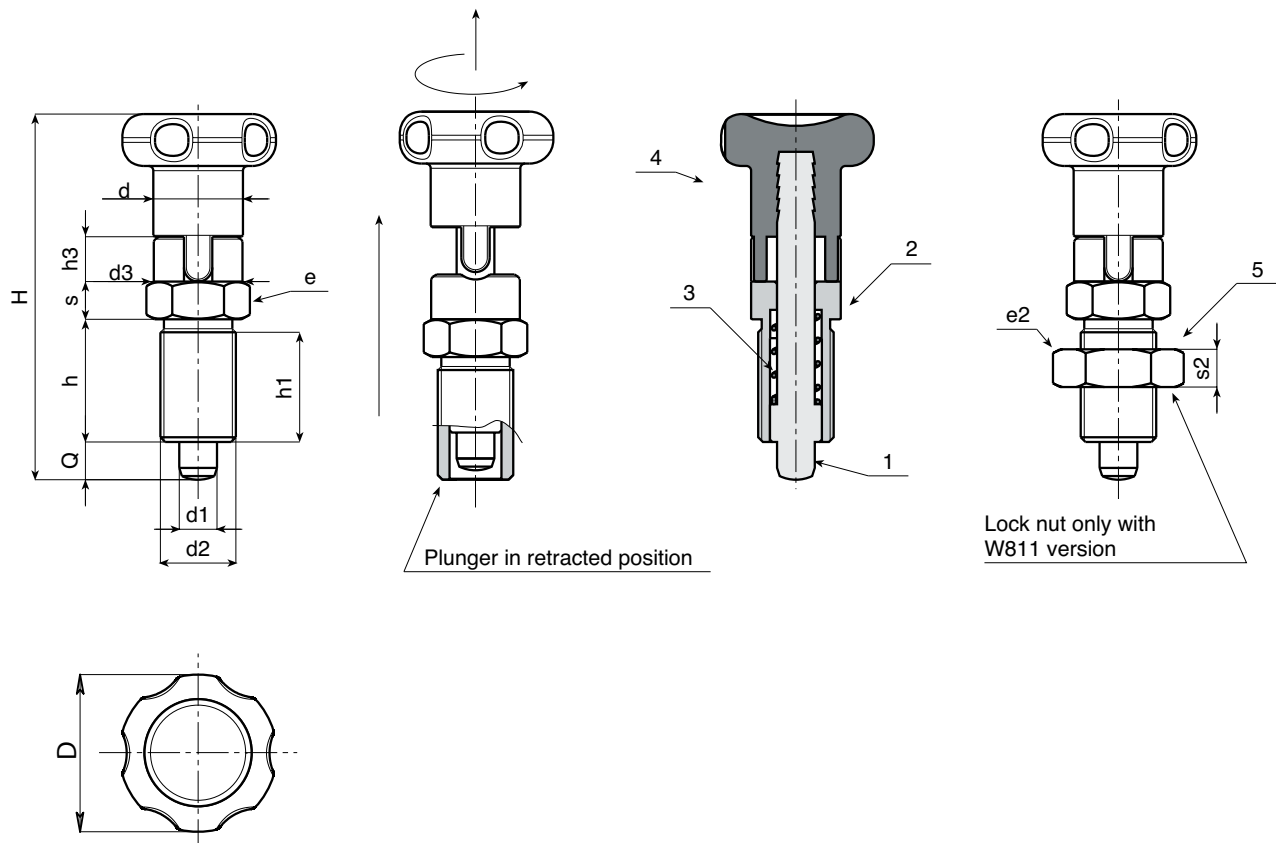
(1.2.5) Natural.

Packs containing 10 pieces.

SPECIAL REQUESTS:

- On request and for special quantities the knob is available in a choice of colours as indicated in the table on page 31.
- On request the nut can be supplied separate.

To lock the plunger in the retracted position, lift the knob and rotate by 90° until it clicks into the slot.



Presumable presence in the stock in %

(☺) 90% (☹) 40% (☹) 5%

BOTECO® - © All right reserved - www.boteco.it

Any unauthorized reproduction is strictly forbidden



W-S - 11

W - S
PLUNGERS

ver. W-SUK.02-1114