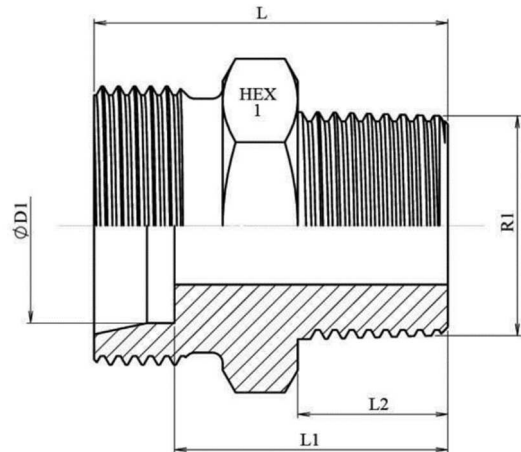
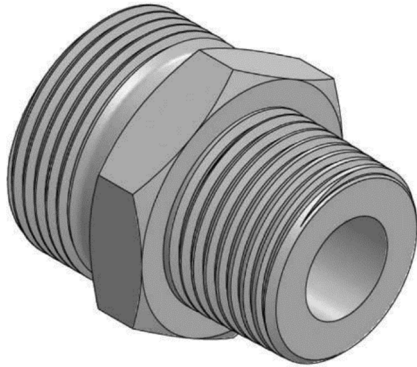


Egyenes KK váltó metrikus-BSPT (lapos)

Straight Male Stud Coupling Bsp Taped



DN	ØD1	Serie	R1	Working Pressure (bar)	L	L1	L2	HEX 1
10	10	L	1/4" BSPT	315	28	21	12	17
10	10	L	3/8" BSPT	315	28	21	12	17
12	12	L	1/2" BSPT	315	31	24	14	22
12	12	L	1/4" BSPT	315	29	22	12	19
12	12	L	3/8" BSPT	315	29	22	12	19
15	15	L	1/2" BSPT	315	32	25	14	24
15	15	L	3/8" BSPT	315	30	23	12	24
18	18	L	1/2" BSPT	315	33	25,5	14	27
22	22	L	3/4" BSPT	160	37	29,5	16	32
6	6	L	1/4" BSPT	315	26	19	12	14
6	6	L	1/8" BSPT	315	22	25	8	12
8	8	L	1/4" BSPT	315	27	20	12	14
4	4	LL	1/8" BSPT	100	20	16	8	10
6	6	LL	1/8" BSPT	100	20	14,5	8	11
8	8	LL	1/4" BSPT	100	26	20,5	12	14
8	8	LL	1/8" BSPT	100	22	16,5	8	12
10	10	S	3/8" BSPT	400	32	24,5	12	19
12	12	S	3/8" BSPT	400	34	26,5	12	22
16	16	S	1/2" BSPT	400	38	29,5	14	27
20	20	S	3/4" BSPT	400	44	33,5	16	32
6	6	S	1/4" BSPT	400	30	23	12	14
8	8	S	1/4" BSPT	400	32	25	12	17