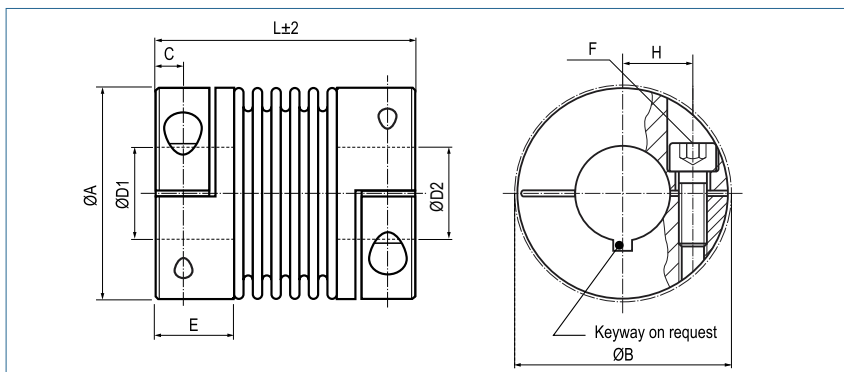


Metal Bellows Coupling

with collet clamps

optional
laserwelded
optional full stainless
steel version



Order Code

KB4 / 60 - 89 - 12 - 32 - (S)
 Type / Size Length L ØD1 (H7) ØD2 (H7) Options

| Size | Torque TKN (Nm) | Dimensions (mm) | | | | | | | | Technical Data | | | | | | | | |
|------|-----------------|-----------------|---------|-------------------------|----|------|------|-------|-------------------------|----------------|----------------------------|---------------------------|------------------|-----------------|-----------------|----------------|-----------------|-----------------|
| | | L | Ø A | D1/D2 | H | C | E | B | F | Mass (kg) | Moment of Inertia J (g m²) | Spring Stiffness | | | Misalignment | | | max speed min-1 |
| | | Length | Outer Ø | Bore Sizes (H7) min-max | | | | | Screw (ISO4762) TA (Nm) | | | torsional CT 10³ (Nm/rad) | radial CR (N/mm) | axial CA (N/mm) | radial ΔKr (mm) | axial ΔKa (mm) | angular ΔKw (°) | |
| 18 | 18 | 63 | 45 | 10-25.4 | 17 | 5.5 | 19.5 | 47.4 | M5 | 0.1 | 0.04 | 20 | 205 | 50 | 0.2 | 0.5 | 1.5 | 12800 |
| | | 71 | | | | | | | 8 | 0.15 | 0.05 | 15 | 82 | 36 | 0.25 | 0.5 | 2 | 12800 |
| 30 | 30 | 65 | 56 | 10-32 | 20 | 7.5 | 24.5 | 56.4 | M6 | 0.3 | 0.15 | 38 | 720 | 50 | 0.15 | 0.6 | 1.5 | 10300 |
| | | 73 | | 15 | | | | | 0.32 | 0.16 | 28 | 225 | 28 | 0.25 | 1 | 2 | 10300 | |
| 60 | 60 | 79 | 66 | 12-35 | 23 | 10 | 29 | 66 | M8 | 0.5 | 0.33 | 75 | 1150 | 90 | 0.15 | 0.6 | 1.5 | 8700 |
| | | 89 | | 40 | | | | | 0.6 | 0.36 | 50 | 340 | 50 | 0.25 | 1 | 2 | 8700 | |
| 80 | 80 | 91 | 82 | 14-44 | 28 | 11 | 33.5 | 82.9 | M10 | 2.3 | 2.3 | 128 | 1200 | 80 | 0.2 | 0.5 | 1.5 | 6900 |
| | | 102 | | 84 | | | | | 2.4 | 2.4 | 75 | 400 | 50 | 0.25 | 0.8 | 2 | 6900 | |
| 150 | 150 | 91 | 82 | 19-44 | 28 | 11 | 33.5 | 82.9 | M10 | 2.3 | 2.5 | 155 | 2020 | 145 | 0.2 | 0.5 | 1.5 | 6900 |
| | | 102 | | 84 | | | | | 2.4 | 2.6 | 105 | 595 | 85 | 0.25 | 0.8 | 2 | 6900 | |
| 200 | 200 | 101 | 90 | 22-47 | 31 | 13 | 38 | 90.8 | M12 | 2.6 | 3.3 | 175 | 2500 | 145 | 0.2 | 0.5 | 1.5 | 6400 |
| | | 113 | | 125 | | | | | 2.7 | 3.5 | 120 | 460 | 82 | 0.25 | 0.8 | 2 | 6400 | |
| 300 | 300 | 105 | 110 | 30-60 | 40 | 13 | 38 | 110 | M12 | 4.3 | 7.6 | 502 | 6300 | 280 | 0.2 | 0.5 | 1.5 | 6000 |
| | | 116 | | 145 | | | | | 4.4 | 7.8 | 285 | 1400 | 145 | 0.25 | 0.8 | 2 | 6000 | |
| 500 | 500 | 112 | 122 | 35-70 | 42 | 15 | 42 | 122 | M12 | 5.5 | 13.5 | 690 | 7790 | 100 | 0.2 | 0.5 | 1.5 | 5000 |
| | | 123 | | 145 | | | | | 5.6 | 13.7 | 320 | 970 | 85 | 0.25 | 1 | 2 | 5000 | |
| 800 | 800 | 168 | 157 | 40-80 | 55 | 22.5 | 55 | 170.3 | 2xM20 400 | 14.3 | 56.9 | 1270 | 700 | 275 | 0.2 | 0.8 | 1.8 | 5000 |
| 1400 | 1400 | 168 | 157 | 50-80 | 55 | 22.5 | 55 | 170.3 | 2xM20 470 | 14.8 | 57.7 | 1270 | 700 | 275 | 0.2 | 0.8 | 1.8 | 5000 |

| | |
|--------------------------|--|
| Material | bellows - stainless steel hub -size 18 - 60: aluminium hub - from size 80: steel |
| Hub | bore tolerance: H7 |
| Temperature Range | -30 °C ~ 120 °C size 800/1400: -30 °C ~ 250 °C |
| Keyway | optional acc. DIN 6885 biggest bore marked with a # |