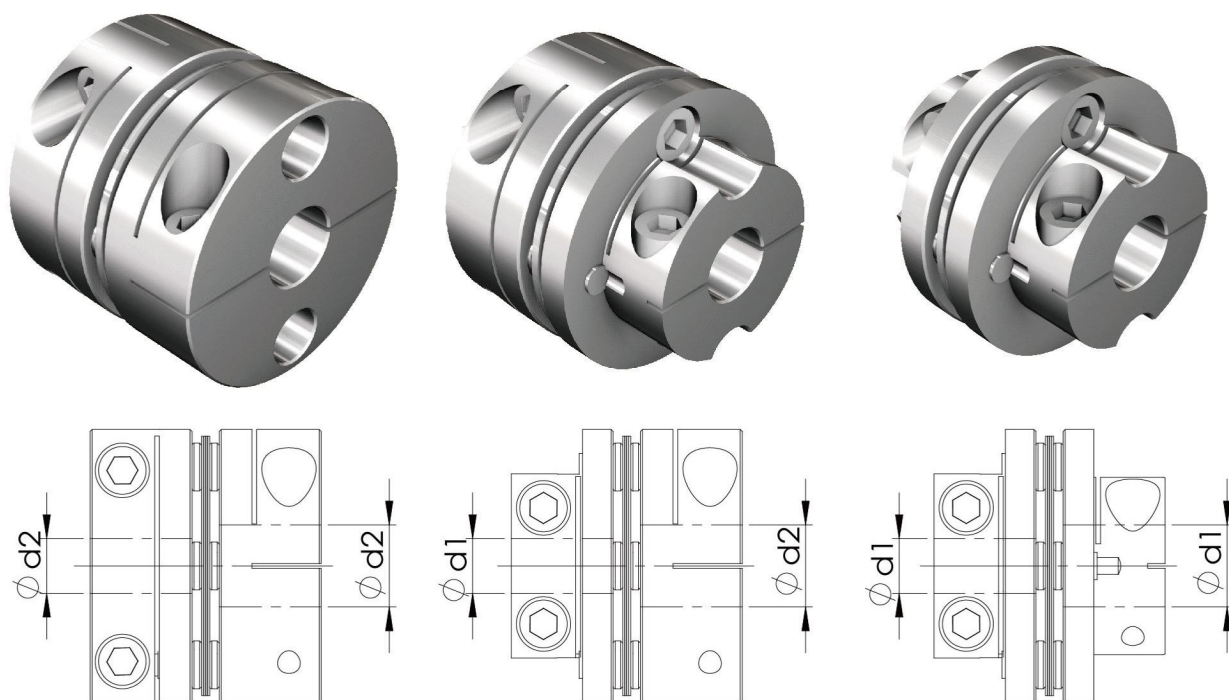


# SGS-C DISK/CLAMP TYPE//SHORTER FLEXIBLE COUPLING

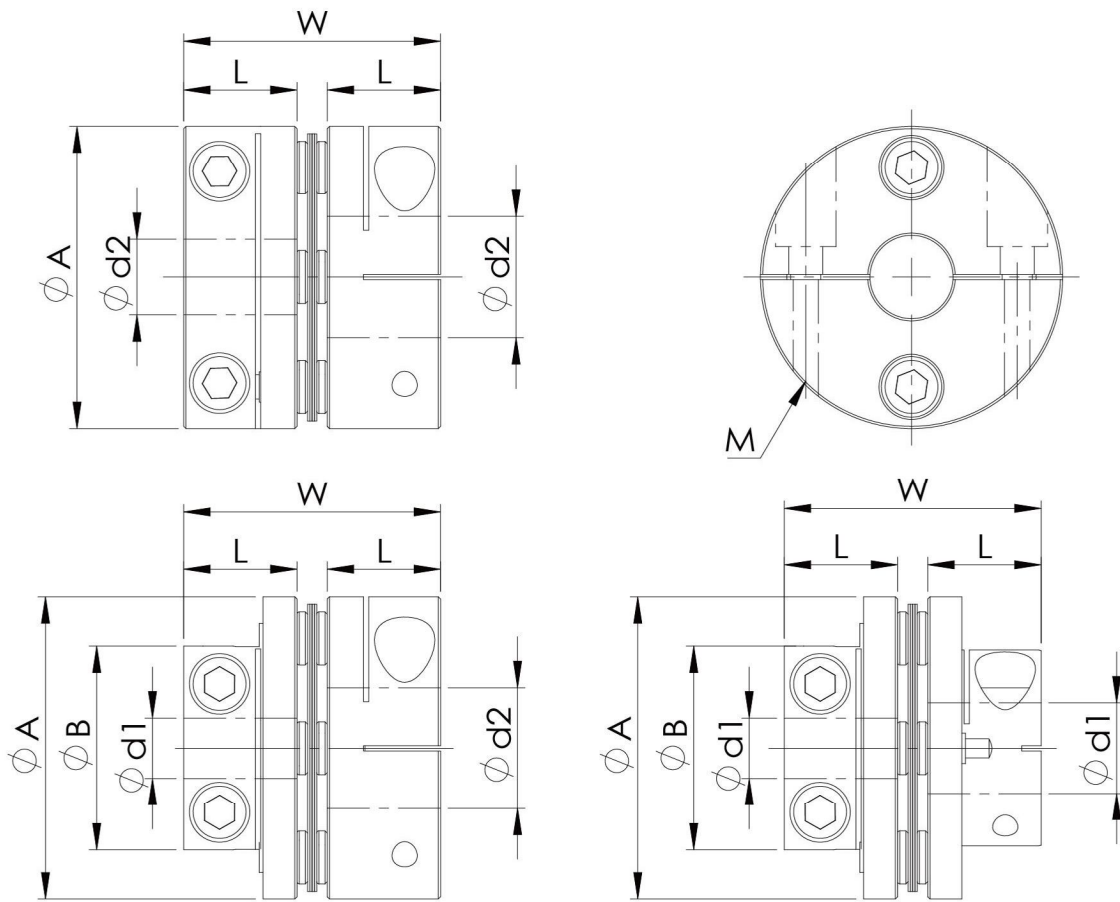
## Features :

- Suitable for servo-motor and precision transmission mechanism.
- Single disk , compact design ,low moment of inertia and zero backlash.
- Allow minor deviation in angularity and end -play.
- Fixed method: Clamp type. Material: Aluminum alloy.



Model No.	$\phi d1$	$\phi d2$
Figure.		
SGS27C	4 ~ 6.35	7 ~ 10
SGS34C	6 ~ 9.525	10 ~ 14
SGS40C	8 ~ 10	11 ~ 16
SGS45C	10 ~ 13	14 ~ 19
SGS50C	10 ~ 16	17 ~ 22
SGS57C	12 ~ 18	19 ~ 24
SGS65C	12 ~ 21	22 ~ 28

# SGS-C DISK/CLAMP TYPE// SHORTER FLEXIBLE COUPLING



## Dimension

Catalog Number	$\phi A$	$\phi B$	L	W	$\phi d1 \times \phi d2$		Setscrew Max. torque.	
					Stock bores. (H8)		M	kgf-cm
					$\phi d1$	$\phi d2$		
SGS-27C	27	20	11	24.5	4 ~ 6.35	7 ~ 10	4 - M3	20
SGS-34C	34	23	12	27	6 ~ 9.525	10 ~ 14	4 - M3	20
SGS-40C	40	27	15	34	8 ~ 10	11 ~ 16	4 - M4	35
SGS-45C	45	34	15	34	10 ~ 13	14 ~ 19	4 - M4	35
SGS-50C	50	40	20	45	10 ~ 16	17 ~ 22	4 - M5	75
SGS-57C	57	45	20	45	12 ~ 18	19 ~ 24	4 - M5	75
SGS-65C	65	50	24	54	12 ~ 21	22 ~ 28	4 - M6	100

## Specifications

Catalog Number	Rated Torque (N . m)	Max Torque (N . m)	Max Rotational Frequency (min-1)	Moment of Inertia (Kg.m <sup>2</sup> )	Errors of Eccentricity (mm)	Errors of Angularity (°)	Errors of Shaft End-Play (mm)	Weight (g)
SGS-27C	2	4	10000	3.1x10 <sup>-6</sup>	0.02	1°	±0.15	-
SGS-34C	5	10		8.0x10 <sup>-6</sup>			±0.2	-
SGS-40C	7	14		2.0x10 <sup>-5</sup>			±0.25	-
SGS-45C	10	20		2.8x10 <sup>-5</sup>			±0.3	-
SGS-50C	16	32		6.6x10 <sup>-5</sup>			±0.35	-
SGS-57C	26	52		9.8x10 <sup>-5</sup>			±0.4	-
SGS-65C	60	120		24.0x10 <sup>-5</sup>			±0.45	-