

A581



“EUROMODEL” INDEXED CLAMPING LEVER WITH THREADED MALE INSERT

A

Material:
Special high resistance glass fiber reinforced technopolymer. Oils and greases resistant.

Surface:
Satin.

Lever body and insert colour:
Black (RAL 9011).

Main insert:
Zinc plated steel threaded stud.
(Thread tolerance 6g).

Fixing screw:
Black-oxide treated steel screw with hexagon socket head.
(R52-R94) Black-oxide treated steel screw with slotted head.

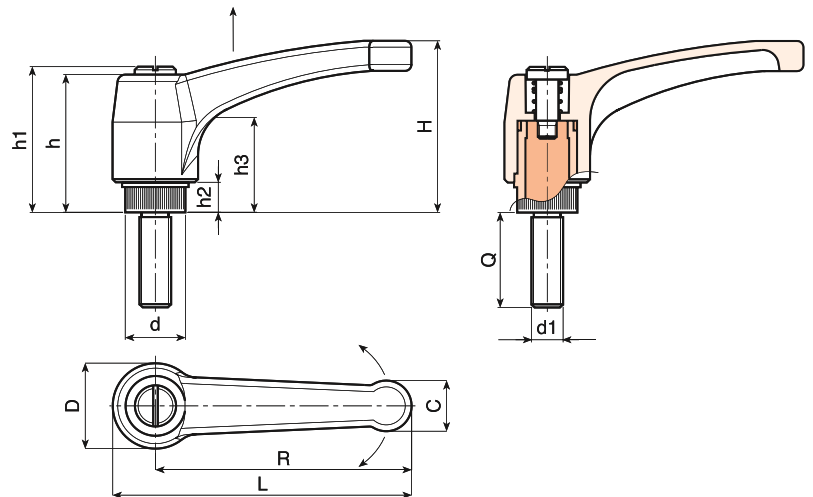
Spring:
Stainless steel spring (AISI 302).

Alternative colours for lever body:

Orange (RAL 2004 cod. 02)
Blue (RAL 5015 cod. 07)
Yellow (RAL 1021 cod. 10)
Red (RAL 3000 cod. 16)
Green (RAL 6024 cod. 17)
Grey (RAL 7035 cod. 13)

SPECIAL REQUESTS:

- It's possible to supply the inserts with different lengths, on request and for quantities.
- It's possible to supply the inserts with different materials, on request and for quantities.
- It's possible to supply the lever body with colours as shown in the table at page A-31 on request and for quantities.



Art.	L	R	H	D	d	c	h	h1	h2	h3	LM	d1 6g	Q	± g
A581043.TM04X..01	51	43	33	17	11,5	9	29	32	6	18	60	M04	10-16-20-25-30-40	18-19-19-20-21-21,5
A581043.TM05X..01	51	43	33	17	11,5	9	29	32	6	18	60	M05	10-16-20-25-30-40	20-20-21-22-22-23
A581043.TM06X..01	51	43	33	17	11,5	9	29	32	6	18	60	M06	10-16-20-25-30-40-50	19-21-22-23-24-25-26
A581052.TM06X..01	63	52	41	22	15	12	36	40	8	23	60	M06	16-20-25-30-35-40-50	38-38-39-40-41-42-43
A581052.TM08X..01	63	52	41	22	15	12	36	40	8	23	60	M08	16-20-25-30-35-40-45-50	38-40-42-43-45-46-47-49
A581065.TM06X..01	76	65	43	23	15	13	36	40	8	24	60	M06	16-20-25-30-35-40-45-50	40-40-41-42-43-44-44-46
A581065.TM08X..01	76	65	43	23	15	13	36	40	8	24	60	M08	16-20-25-30-35-40-45-50	42-44-46-47-49-50-52-54
A581080.TM08X..01	93	80	54	27	19	15,5	44	48	8,5	29	90	M08	20-25-30-35-40-45-50	66-67-69-70,5-72-74-76
A581080.TM10X..01	93	80	54	27	19	15,5	44	48	8,5	29	90	M10	20-25-30-35-40-45-50	74-76,5-79-81,5-84-87
A581080.TM12X..01	93	80	54	27	19	15,5	44	48	8,5	29	90	M12	20-25-30-35-40-50	89-92-95-99-101-108
A581094.TM08X..01	109	94	56	30	19	18	45	49	9	30	90	M08	20-25-30-35-40-50	73-74-76-78-79-81
A581094.TM10X..01	109	94	56	30	19	18	45	49	9	30	90	M10	20-25-30-35-40-50-60-70	79-80-81-84-86-88-91-94-97
A581094.TM12X..01	109	94	56	30	19	18	45	49	9	30	90	M12	0-25-30-35-40-50-60-70	96-97-99-102-106-108-115-123-130
A581108.TM12X..01	125	108	64	34	24	21	51	55	10	35	90	M12	20-30-40-50-60-70	137-144-151-158-165-172
A581108.TM14X..01	125	108	64	34	24	21	51	55	10	35	90	M14	30-40-50-60	150-157-164-171
A581108.TM16X..01	125	108	64	34	24	21	51	55	10	35	90	M16	40-50-60	175-187-199

Enter the stud length choice in the two .. of the article code. Lengths by request with 100 pieces minimum quantity.

LM = Maximum mouldable length.