

# A583



## “EUROMODEL” INDEXED CLAMPING LEVER WITH PLASTIC PUSH BUTTON AND WITH THREADED STUD

**Material:**  
Special high resistance glass fiber reinforced technopolymer. Oils and greases resistant.

**Surface:**  
Satin.

**Lever body and insert colour:**  
Black (RAL 9011).

**Main insert:**  
Zinc plated steel threaded stud.  
(Thread tolerance 6g).

**Push Button:**  
Push button in black polyamide (RAL 9011).

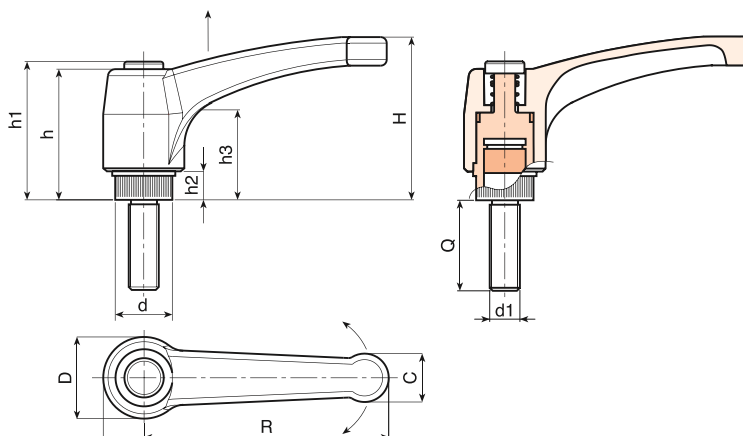
**Spring:**  
Stainless steel spring (AISI 302).

### Alternative colours for lever body and button:

Orange (RAL 2004 cod. 02)  
Blue (RAL 5015 cod. 07)  
Yellow (RAL 1021 cod. 10)  
Red (RAL 3000 cod. 16)  
Green (RAL 6024 cod. 17)  
Grey (RAL 7035 cod. 13)

### SPECIAL REQUESTS:

- It's possible to supply the inserts with different lengths, on request and for quantities.
- It's possible to supply the inserts with different materials, on request and for quantities.
- It's possible to supply the lever body and button with colours as shown in the table at page A-31 on request and for quantities.



Art.	L	R	H	D	d	c	h	h1	h2	h3	LM	d1 6g	Q	g
A583043.TM04X..01	51	43	33	17	11,5	9	29	32	6	18	75	M04	10-16-20-25-30-40	9-10-10-11-11-12
A583043.TM05X..01	51	43	33	17	11,5	9	29	32	6	18	75	M05	10-16-20-25-30-40	12-13-13-14-15-16
A583043.TM06X..01	51	43	33	17	11,5	9	29	32	6	18	75	M06	10-16-20-25-30-40-50	14-15-15,5-16-16,5-18-19,5
A583052.TM06X..01	63	52	41	22	15	12	36	40	8	23	90	M06	16-20-25-30-35-40-50	22-23-24-25-26-27-28
A583052.TM08X..01	63	52	41	22	15	12	36	40	8	23	90	M08	16-20-25-30 35-40-45-50	24-25-27-28,5 30-31,5-33-34,5
A583052.TM10X..01	63	52	41	22	15	12	36	40	8	23	90	M10	20-25-30-35-40-50	31-33,5-36-38,5-41-46
A583065.TM06X..01	76	65	43	23	15	13	36	40	8	24	90	M06	16-20-25-30-35-40-45-50	26-27-27-28-28-29-30
A583065.TM08X..01	76	65	43	23	15	13	36	40	8	24	90	M08	16-20-25-30 35-40-45-50	31,5-33-34,5-36-37,5 39-41-42,5-44
A583065.TM10X..01	76	65	43	23	15	13	36	40	8	24	90	M10	20-25-30-35-40-45-50	37-39,5-42-44,5-47-49,5-52
A583080.TM08X..01	93	80	54	27	19	15,5	44	48	8,5	29	90	M08	20-25-30-35-40-50	47-49-50,5-52-54-57
A583080.TM10X..01	93	80	54	27	19	15,5	44	48	8,5	29	90	M10	20-25-30-35 40-45-50	54-56,5-59-61,5-64 66,5-69-74-79
A583080.TM12X..01	93	80	54	27	19	15,5	44	48	8,5	29	90	M12	20-25-30-35 40-50-60-70	65-69-72-75-79-83 86-93-100-107
A583094.TM08X..01	109	94	56	30	19	18	45	49	9	30	90	M08	20-25-30-35-40-50	55-57-58-60-62-65
A583094.TM10X..01	109	94	56	30	19	18	45	49	9	30	90	M10	20-25-30-35 40-50-60-70	62-67-69-72 75-77-82-87
A583094.TM12X..01	109	94	56	30	19	18	45	49	9	30	90	M12	20-25-30-35-40 50-60-70	73-80-83-87-91-94 101-108-115
A583108.TM12X..01	125	108	64	34	24	21	51	55	10	35	100	M12	20-30-40-50-60-70	101-108-115-122-129-136
A583108.TM14X..01	125	108	64	34	24	21	51	55	10	35	100	M14	30-40-50-60	114-121-128-134
A583108.TM16X..01	125	108	64	34	24	21	51	55	10	35	100	M16	40-50-60	139-151-163

Enter the stud length choice in the two .. of the article code. Lengths by request with 50 pieces minimum quantity.

Presumable presence in the stock in %   
 90% ● 40% ● 5% ●