

# C197 UPDATE



## SOLID CONTROL HANDWHEEL WITH REVOLVING HANDLE

**Material:**  
Reinforced and stabilised polyamide.  
Oils and greases resistant.

**Surface:**  
Satin.

**Colour:**  
Black (RAL 9011).

**Central Cap:**  
Grey polyamide (RAL 7035 cod. 13).

**Alternative Cap Colour:**  
Orange (RAL 2004 cod. 02)  
Blue (RAL 5015 cod. 07)  
Yellow (RAL 1021 cod. 10)  
Red (RAL 3000 cod. 16)  
Green (RAL 6024 cod. 17)  
Black (RAL 9011 cod. 01)

**Main Insert:**  
Zinc plated steel insert with smooth through-hole (H10 tolerance).

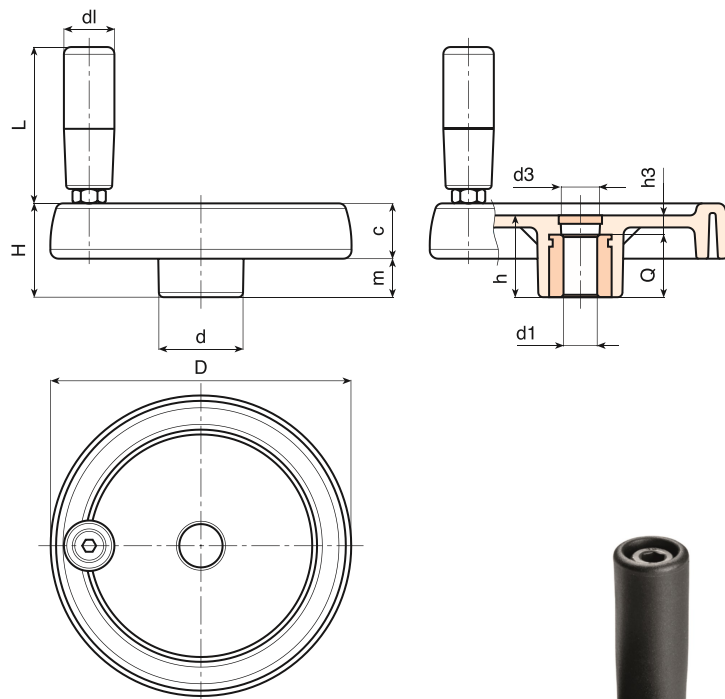
**Side Insert:**  
Brass right through threaded bush.

**Side handle:**  
Revolving handle M144 (pag. M-08).

*For fixing system, or execution of keyway or square holes, please refer to the technical notes attached to the catalogue.*

### SPECIAL REQUEST:

- It's possible to supply the inserts with d1 bore by customer design, on request and for quantities.
- It's possible to supply the inserts in different material and treatment-finishes, on request and for quantities.
- It's possible to supply the products with colours (reduced range) as shown in the table at page C-11, on request and for quantities.



### Version with zinc plated insert and H10 tolerance bore

Art.	D	H	h	d	m	c	d3	h3	d1	L	Dm	d1 H10	Q	g
● C197080.TP0501P	81	33	29	25	16	17	16	9	20	56	12	05	20	130
● C197080.TD0801P	81	33	29	25	16	17	16	9	20	56	12	08	20	129
● C197100.TP0501P	100	39	34	30	18,5	20,5	16	10	20	56	16	05	24	192
● C197100.TD1001P	100	39	34	30	18,5	20,5	16	10	20	56	16	10	24	190
● C197125.TP0501P	125	44	37	36	20	24	26	13	21	65	18	05	24	351
● C197125.TD1201P	125	44	37	36	20	24	26	13	21	65	18	12	24	342
● C197125.TD1401P	125	44	37	36	20	24	26	13	21	65	18	14	24	340
● C197150.TD0801P	150	54	44	38	25	29	26	12	23	76	22	08	32	588
● C197150.TD1201P	150	54	44	38	25	29	26	12	23	76	22	12	32	580
● C197150.TD1401P	150	54	44	38	25	29	26	12	23	76	22	14	32	577
● C197175.TD0801P	173	57	47	40	25,5	31,5	26	15	25	86	22	08	32	770
● C197175.TD1601P	173	57	47	40	25,5	31,5	26	15	25	86	22	16	32	755
● C197175.TD2001P	173	57	47	40	25,5	31,5	26	15	25	86	22	20	32	751
● C197200.TD0801P	202	59	49	44	24	35	27	13	25	86	28	08	36	980
● C197200.TD2001P	202	59	49	44	24	35	27	13	25	86	28	08	36	960
● C197250.TD0801P	249	68	58	59	29	39	36	22	25	86	28	08	36	1530

**Attention:** replace the two places in the code .. with the hole diameter required - 50 pieces minimum.

**Dm** = It's possible to increase the hole, by boring, until Dm (enlarge).

**A.R.** = By request