

PIE. 40-50-60



PLASTIC FOOT BASE WITH BALL JOINT

Material:

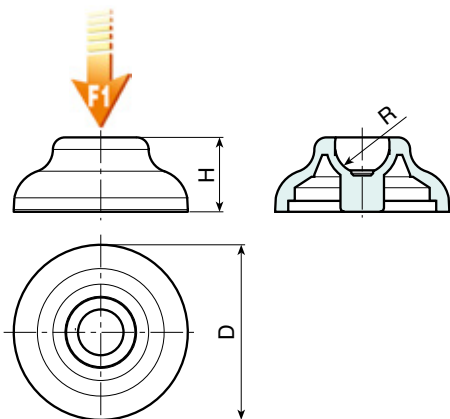
Reinforced polyamide. Oils and greases resistant.

Surface: Satin.

Colour: Black (RAL 9011).

SPECIAL REQUESTS:

- Upon request and for special quantities the foot can be supplied in Orange (RAL 2004).



Art.	D	H	R	g	F1 (N)
PIE.040S12.4	40	17	12,4	12	10000
PIE.040S15	40	17	15	12	10000
PIE.050S12.4	50	18	12,4	16	10000
PIE.050S15	50	18	15	16	10000
PIE.060S12.4	60	20	12,4	25	10000
PIE.060S15	60	20	15	24	15000
PIE.060S24	60	20	24	24	15000

PIE. 80-105-130



PLASTIC FLOOR-ANCHOR FOOT BASE WITH BALL JOINT

Material:

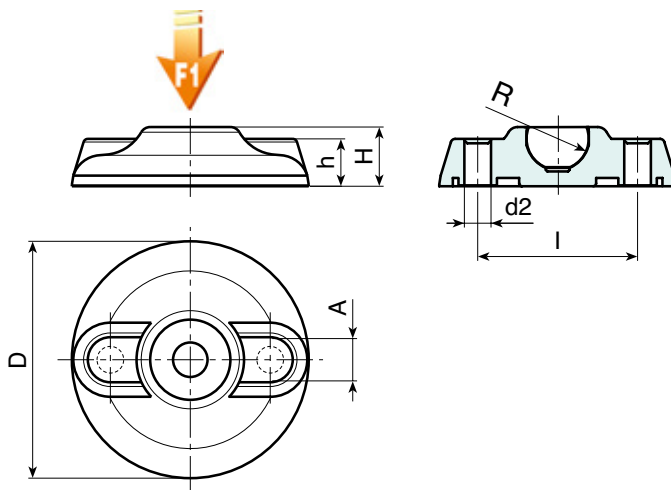
Reinforced polyamide. Oils and greases resistant.

Surface: Satin.

Colour: Black (RAL 9011).

SPECIAL REQUESTS:

- Upon request and for special quantities the foot can be supplied in Orange (RAL 2004).



Art.	D	H	h	l	A	d2	R	g	F1 (N)
PIE.080S12.4	80	20	20	54	16	9 (M08)	12,4	49	10000
PIE.080S15	80	20	20	54	16	9 (M08)	15	45	13000
PIE.080S24	80	20	20	54	16	9 (M08)	24	47,5	25000
PIE.105S15	105	22	21	74	18,5	11 (M10)	15	99	15000
PIE.105S24	105	22	21	74	18,5	11 (M10)	24	97	25000
PIE.130S15	130	24	21	99	20	13 (M12)	15	165	17000
PIE.130S24	130	24	21	99	20	13 (M12)	24	163	25000