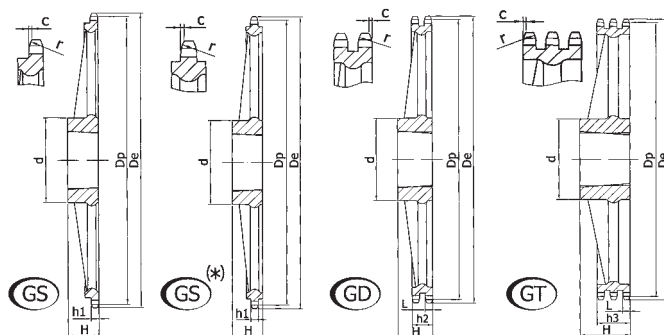


Pignoni in ghisa per bussola / Taper bored cast iron sprockets
Kettenräder aus Gusseisen für Spannbuchsen / Roues en fonte à moyeu amovible
Rueda en fundicion para casquillos conicos



Ghisa EN-GJL-250 UNI EN 1561 **Cast iron** EN-GJL-250 UNI EN 1561 **Grauguss** EN-GJL-250 UNI EN 1561 **Fonte** EN-GJL-250 UNI EN 1561 **Hierro fundido** EN-GJL-250 UNI EN 1561

5/8" x 3/8" - 15,875 x 9,65 mm

10B - 1 - 2 - 3 - DIN 8187 ISO/R 606

| CATENA: | CHAIN: | KETTE: | CHAÎNE: | CADENA: | mm |
|-----------------------------|----------------------------|---------------------------|---------------------------------|-----------------------------|---------------------|
| Passo | Pitch | Teilung | Pas | Paso | 15,875 |
| Larghezza interna | Internal width | Innere Breite | Largeur interieure | Ancho interno | 9,650 |
| Rullo ø | Roller ø | Rollen ø | ø du rouleau | Rodillo ø | 10,160 |
| PIGNONE | SPROCKETS | KETTENRÄDER | PIGNONS | PIÑONES | mm |
| Raggio dente r | Tooth radius r | Radius r | Rayon de denture r | Radio diente r | r 16,0 |
| Larghezza raggio C | Radius width C | Breite C | Largeur de rayon C | Ancho radio C | C 1,6 |
| Largh. dente h ₁ | Tooth width h ₁ | Zahnbreite h ₁ | Larg. de denture h ₁ | Ancho diente h ₁ | h ₁ 9,1 |
| Largh. dente L | Tooth width L | Zahnbreite L | Larg. de denture L | Ancho diente L | L 9,0 |
| Largh. dente h ₂ | Tooth width h ₂ | Zahnbreite h ₂ | Larg. de denture h ₂ | Ancho diente h ₂ | h ₂ 25,5 |
| Largh. dente h ₃ | Tooth width h ₃ | Zahnbreite h ₃ | Larg. de denture h ₃ | Ancho diente h ₃ | h ₃ 42,1 |
| Altezza totale H | Full height H | Gesamt Höhe H | Hauteur totale H | Altura total H | H - |

| Z | D _e | D _p | Simplex | | | Duplex | | | Triplex | | | | | |
|------|----------------|----------------|----------|-----|----|--------|----------|-----|---------|------|----------|-----|----|------|
| | | | cod. | d | H | cod. | d | H | cod. | d | H | | | |
| 45 | 235,0 | 227,58 | GS 10045 | 100 | 32 | 2012 | GD 10045 | 110 | 45 | 2517 | GT 10045 | 118 | 64 | 2525 |
| 57 | 296,0 | 288,18 | GS 10057 | 111 | 32 | 2012 | GD 10057 | 124 | 45 | 2517 | GT 10057 | 160 | 51 | 3020 |
| 76 | 392,1 | 384,16 | GS 10076 | 111 | 32 | 2012 | GD 10076 | 160 | 51 | 3020 | GT 10076 | 160 | 51 | 3020 |
| *95 | 488,5 | 480,14 | GS 10095 | 124 | 45 | 2517 | GD 10095 | 160 | 51 | 3020 | GT 10095 | 160 | 51 | 3020 |
| *114 | 584,1 | 576,13 | GS 10114 | 124 | 45 | 2517 | GD 10114 | 160 | 51 | 3020 | GT 10114 | 160 | 51 | 3020 |

3/4" x 7/16" - 19,05 x 11,68 mm

12B - 1 - 2 - 3 - DIN 8187 ISO/R 606

| CATENA: | CHAIN: | KETTE: | CHAÎNE: | CADENA: | mm |
|-----------------------------|----------------------------|---------------------------|---------------------------------|-----------------------------|---------------------|
| Passo | Pitch | Teilung | Pas | Paso | 19,05 |
| Larghezza interna | Internal width | Innere Breite | Largeur interieure | Ancho interno | 11,68 |
| Rullo ø | Roller ø | Rollen ø | ø du rouleau | Rodillo ø | 12,07 |
| PIGNONE | SPROCKETS | KETTENRÄDER | PIGNONS | PIÑONES | mm |
| Raggio dente r | Tooth radius r | Radius r | Rayon de denture r | Radio diente r | r 19,0 |
| Larghezza raggio C | Radius width C | Breite C | Largeur de rayon C | Ancho radio C | C 2,0 |
| Largh. dente h ₁ | Tooth width h ₁ | Zahnbreite h ₁ | Larg. de denture h ₁ | Ancho diente h ₁ | h ₁ 11,1 |
| Largh. dente L | Tooth width L | Zahnbreite L | Larg. de denture L | Ancho diente L | L 10,8 |
| Largh. dente h ₂ | Tooth width h ₂ | Zahnbreite h ₂ | Larg. de denture h ₂ | Ancho diente h ₂ | h ₂ 30,3 |
| Largh. dente h ₃ | Tooth width h ₃ | Zahnbreite h ₃ | Larg. de denture h ₃ | Ancho diente h ₃ | h ₃ 49,8 |
| Altezza totale H | Full height H | Gesamt Höhe H | Hauteur totale H | Altura total H | H - |

| Z | D _e | D _p | Simplex | | | Duplex | | | Triplex | | | | | |
|------|----------------|----------------|----------|-----|----|--------|----------|-----|---------|------|----------|-----|----|------|
| | | | cod. | d | H | cod. | d | H | cod. | d | H | | | |
| *45 | 282,5 | 273,10 | GS 11045 | 118 | 45 | 2517 | GD 11045 | 154 | 51 | 3020 | GT 11045 | 160 | 51 | 3020 |
| *57 | 355,4 | 345,81 | GS 11057 | 124 | 45 | 2517 | GD 11057 | 160 | 51 | 3020 | GT 11057 | 160 | 51 | 3020 |
| *76 | 469,9 | 460,99 | GS 11076 | 124 | 45 | 2517 | GD 11076 | 160 | 51 | 3020 | GT 11076 | 160 | 51 | 3020 |
| *95 | 585,1 | 576,17 | GS 11095 | 124 | 45 | 2517 | GD 11095 | 160 | 51 | 3020 | GT 11095 | 160 | 76 | 3030 |
| *114 | 700,6 | 691,36 | GS 11114 | 124 | 64 | 2525 | GD 11114 | 160 | 76 | 3030 | GT 11114 | 160 | 76 | 3030 |