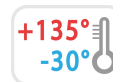


F176



06

6-LOBE SOLID HANDWHEEL WITH INSERT AND BORE

6-lobe handwheels

Materials:

Reinforced polyamide.
Resistant to oils and greases.

Surface finish:

Satin.

Colour:

Black (RAL 9011).

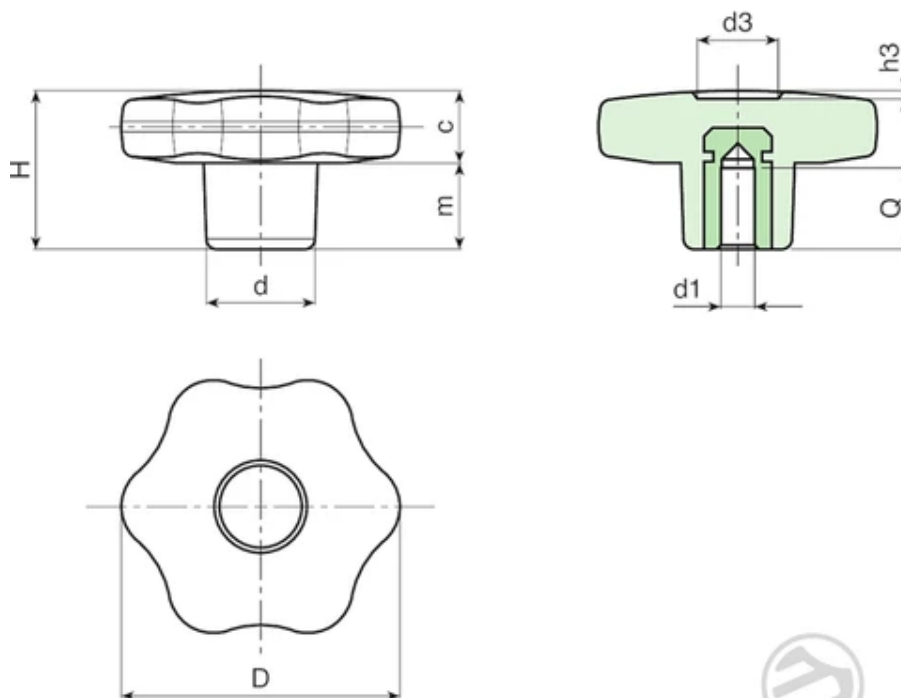
Inserts:

Brass insert with blind smooth bore (bore tolerance H9).

(*) Galvanised steel insert with blind smooth bore (bore tolerance H10).

ATTENTION: bore cannot be widened.

Special Requests:



Code	Art.	D	H	d	c	m	d3	h3	d1 H9	Q	Weight (g)
F17630.0001	F17630.TD0601	30	22	15	11	11	9	1.5	6	14,5	17
F17630.0002	F17630.TD0801	30	22	15	11	11	9	1.5	8	13	19

Code	Art.	D	H	d	c	m	d3	h3	d1 H9	Q	Weight (g)
F17640.0001	F17640.TD0601	40	24.5	17	12	12.5	12	1	6	14,5	24
F17640.0002	F17640.TD0801	40	24.5	17	12	12.5	12	1	8	13	26
F17640.0003	F17640.TD1001	40	24.5	17	12	12.5	12	1	10	17	28
F17650.0001	F17650.TD0601	50	29	20	14	15	14.5	1.5	6	14,5	39
F17650.0003	F17650.TD0801	50	29	20	14	15	14.5	1.5	8	14	41
F17650.0006	F17650.TD1001	50	29	20	14	15	14.5	1.5	10	17	42
F17660.0001	F17660.TD0801	60	34	24	16	18	18	1.5	(*) 08 (H10)	18	78
F17660.0003	F17660.TD1001	60	34	24	16	18	18	1.5	(*) 10 (H10)	25	73
F17660.0005	F17660.TD1201	60	34	24	16	18	18	1.5	(*) 12 (H10)	22	75