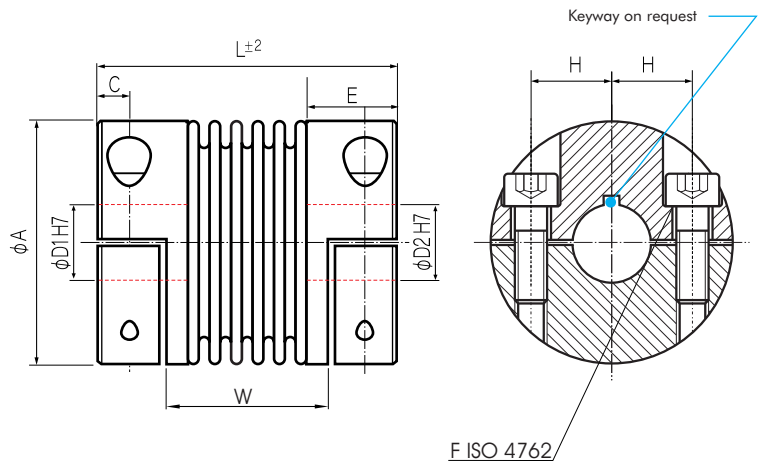
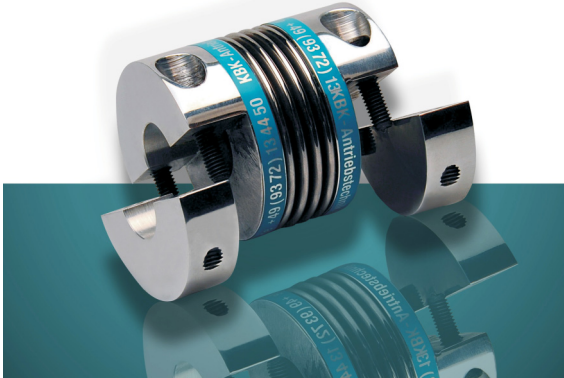


Bellows Couplings - Compact Version

with Split Hubs



F ISO 4762



Order Code: KB 4HC / 60 - 67 - 20 - 20 (- S)
 Type / Size Length Ø D1 (H7) Ø D2 (H7) Options

	Torque T _{kN} (Nm)	Dimensions (mm)								Technical Ratings								
		L Length (±2)	Ø A Outer Ø	D1/D2 Bore Sizes (H7)	H	C	E	W	F Screw (DIN 912) T _A (Nm)	Mass (kg)	Moment of Inertia J (g m ²)	Spring Stiffness			Misalignment			max Speed min ⁻¹
												torsional C _T 10 ³ (Nm/rad)	radial C _R (N/mm)	axial C _A (N/mm)	radial ΔK _r (mm)	axial ΔK _a (mm)	angular ΔK _w (°)	
KB4HC/18	18	58	45	10-25.4	17	5.5	17.5	37	M5	0.07	0.03	20	205	50	0.2	0.5	1.5	12800
		66										15	82	36	0.25	0.5	2	12800
KB4HC/30	30	58	56	10-30	20	7.3	21	35	M6	0.26	0.13	38	720	50	0.15	0.6	1.5	10300
		66										28	225	28	0.25	1	2	10300
KB4HC/60	60	67	66	12-35	23	8.6	24	41	M8	0.38	0.28	75	1150	90	0.15	0.6	1.5	8700
		77										50	340	50	0.25	1	2	8700
KB4HC/80	80	78	82	12-44	28	9.8	27	47	M10	0.70	0.78	128	1200	80	0.2	0.5	1.5	6900
		89										75	400	50	0.25	0.8	2	6900
KB4HC/150	150	78	82	14-44	28	9.8	27	48	M10	0.73	0.82	155	2020	145	0.2	0.5	1.5	6900
		89										105	595	85	0.25	0.5	2	6900
KB4HC/200	200	83	90	16-48	31	10.8	29	51	M12	0.89	1.19	175	2500	145	0.2	0.5	1.5	6400
		94										120	460	82	0.25	0.8	2	6400
KB4HC/300	300	94	110	20-60	39	11.8	32.5	55	M12	1.37	2.74	502	6300	280	0.2	0.5	1.5	6000
		105										285	1400	145	0.25	0.8	2	6000
KB4HC/500	500	100	122	25-70	45	13.3	36	62	M12	1.81	4.45	690	7790	100	0.2	0.5	1.5	5000
		111										75	145	1.91	4.69	320	970	85

Material: Bellows - Stainless Steel
Hubs - Aluminium

Temperature Range: -30° ~ 120° C